

RoHS Compliant

成品图

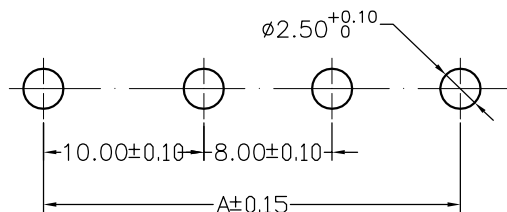
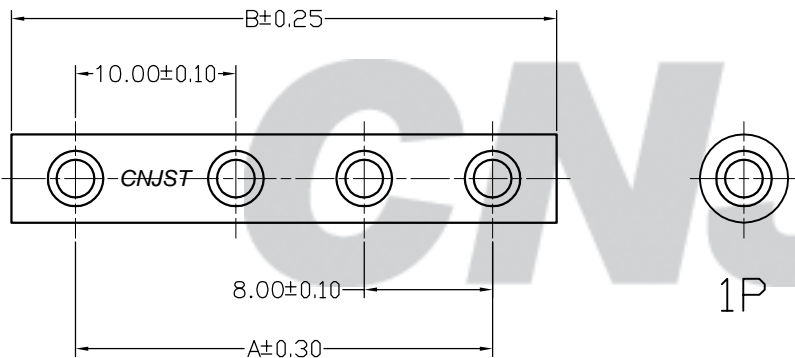
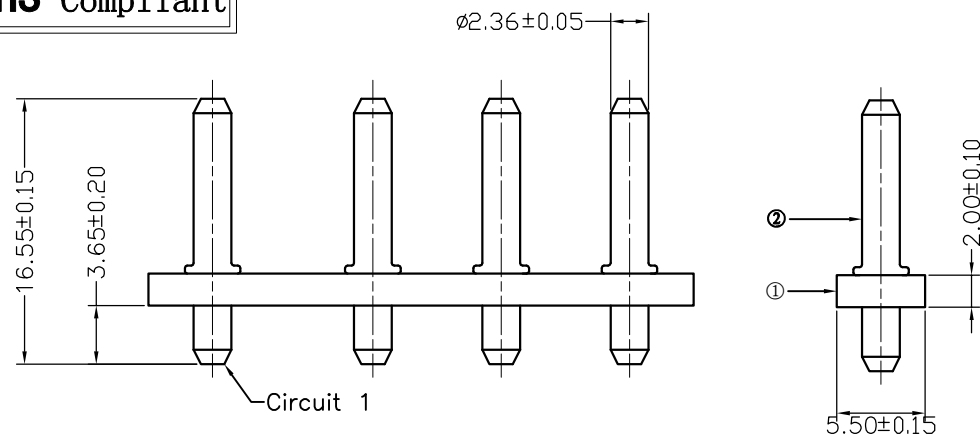
SPECIFICATION

- 1 Contact resistance:  $\leq 10m\Omega$
- 2 Insulation resistance:  $\geq 1000M\Omega$
- 3 Rated voltage: 250 V AC DC
- 4 Rated current: 5.0 A AC DC
- 5 Withstand Voltage: 1500V AC/minute
- 6 Temperature Range:  $-25^{\circ}C \sim +85^{\circ}C$

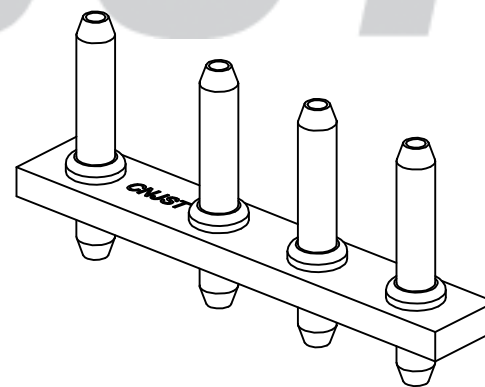
ORDER INFORMATION:

**A1080A-\*\*-A5GA-P**

PART No. \_\_\_\_\_  
 No. OF CIRCUITS: \_\_\_\_\_  
 01~06  
 PLASTIC MATERIAL: \_\_\_\_\_  
 A5G=PA66 (GREY)  
 PACKAGING: P=PE  
 PLATING: A=Tin-plated



SUGGESTED PCB LAYOUT  
(COMPONENT SIDE)



Circuits	Dimensions (mm)	
	A	B
01	—	6.00
02	10.00	18.00
03	18.00	26.00
04	26.00	34.00
05	34.00	42.00
06	42.00	50.00

REV.	DATE	DESCRIPTION	APPD.	NO.	DESCRIPTION	QTY	MATERIAL	PLATING/COLOR
B/0	2016.05.12	NEW RELEASE		②	Contacts	1~6	Brass	Tin-plated
				①	Insulator	1	PA66 (UL94V-0)	Grey

Tolerance	Model Name: 10.00-8.00mm PITCH 180° WAFER	
X.X ±0.30	Model No: A1080A-**-A5GA-P	
X.XX ±0.20	SCALE: FULL	REVISION: B/0
X.XXX ±0.10	UNIT: mm	
Angle ±3.0°	<b>CNJST</b> 浙江捷仕泰电子有限公司 ZHEJIANG JIESHITAI ELECTRONIC CO., LTD	

Drawn: 蔡忠忠 2016.05.12
Checked: 林旭芝
Approved: 刘祚杰
DWG NO. CNJST/GCCP-0119