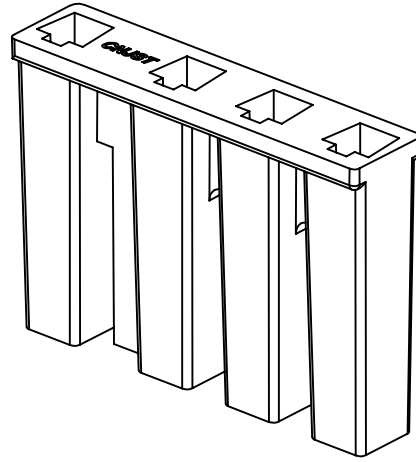
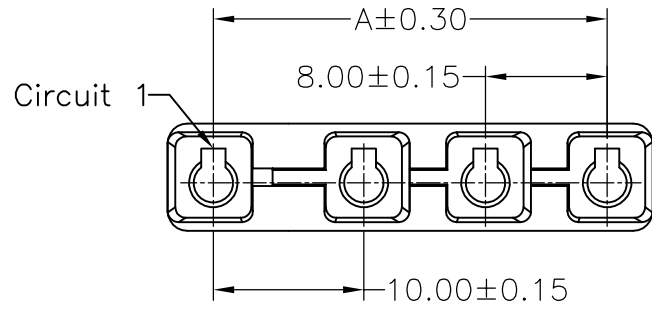


RoHS Compliant

成品图



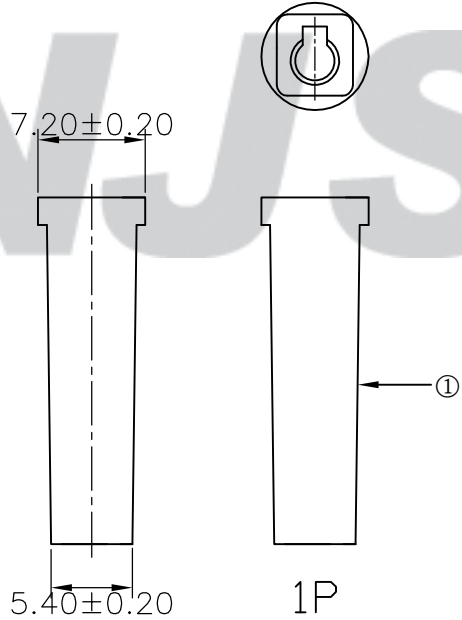
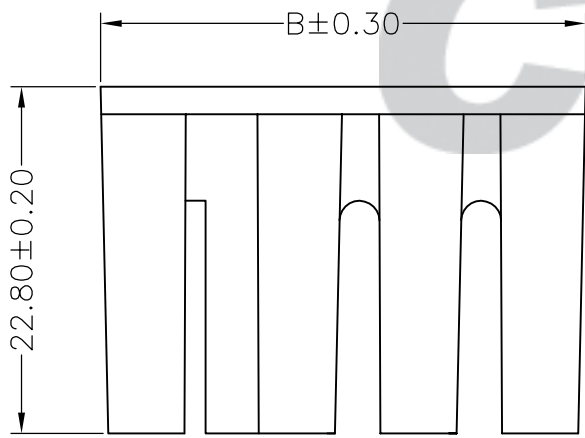
SPECIFICATION

- 1 Contact resistance:  $\leq 10m\Omega$
- 2 Insulation resistance:  $\geq 1000M\Omega$
- 3 Rated voltage: 250 V AC DC
- 4 Rated current: 5.0 A AC DC
- 5 Withstand Voltage: 1500V AC/minute
- 6 Temperature Range:  $-25^{\circ}C \sim +85^{\circ}C$

ORDER INFORMATION:

**A1080Y-\*\*-A5G-P**

PART No.		PACKAGING: P=PE
No. OF CIRCUITS: 01~06		PLASTIC MATERIAL: A5G=PA66 (GREY)



Circuits	Dimensions (mm)	
	A	B
01	—	7.50
02	10.00	16.00
03	18.00	24.00
04	26.00	32.00
05	34.00	40.00
06	42.00	48.00

REV.	DATE	DESCRIPTION	APPD.	NO.	DESCRIPTION	QTY	MATERIAL	PLATING/COLOR
B/O	2016.05.12	NEW RELEASE		①	Insulator	1	PA66 (UL94V-0)	Grey

Tolerance X.X ±0.30 X.XX ±0.20 X.XXX ±0.10 Angle ±3.0°	Model Name: 10.00-8.00mm PITCH HOUSING Model No: A1080Y-**-A5G-P	SCALE: FULL REVISION: B/0
UNIT: mm	<b>CNJST</b> 浙江捷仕泰电子有限公司 ZHEJIANG JIESHITAI ELECTRONIC CO., LTD	

Drawn: 蔡忠忠 2016.05.12  
Checked: 林旭芝  
Approved: 刘祚杰  
DWG NO. CNJST/GCCP-0120