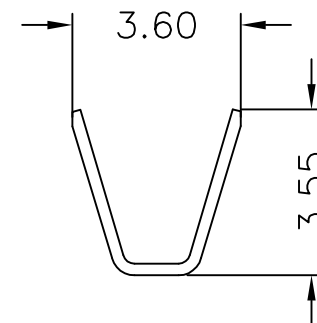
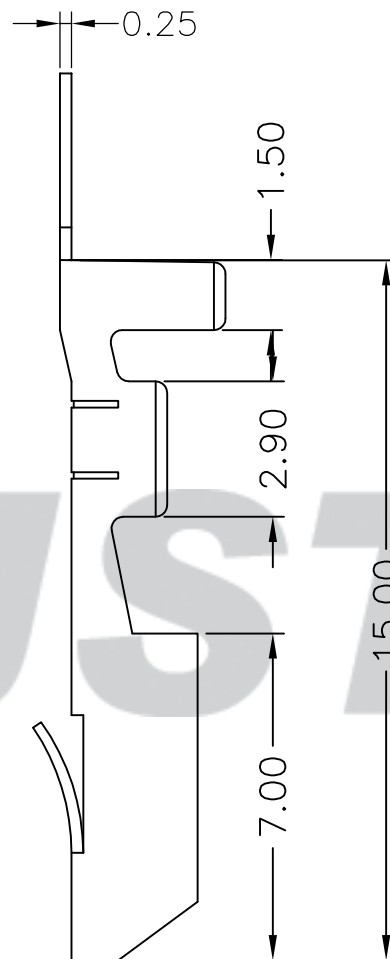
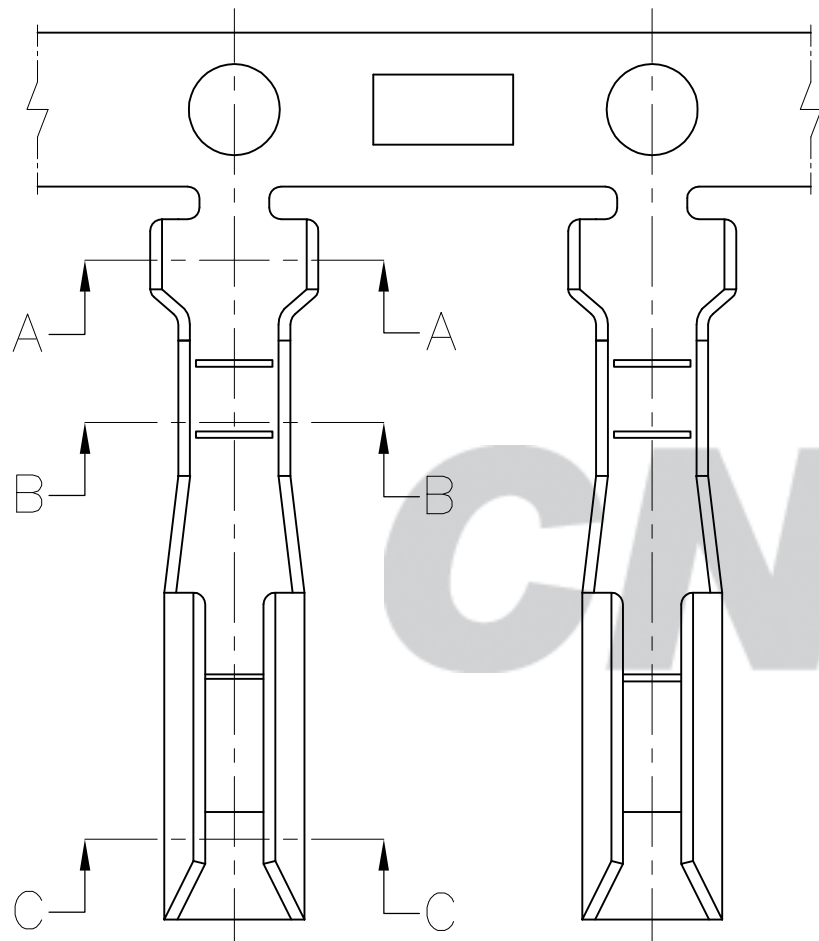
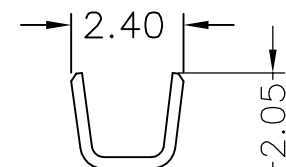


RoHS Compliant

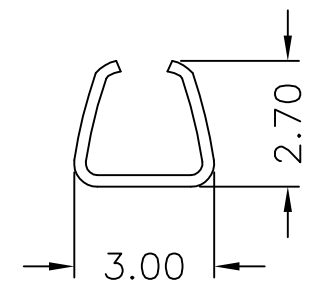
端子图



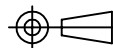
A-A



B-B



C-C

Tolerance X.X ±0.30 X.XX ±0.20 X.XXX ±0.10 Angle ±3.0°	Model Name: 10.00-8.00mm PITCH CRIMP TERMINAL		Drawn: 张育斌 2016.06.13
	Model No: A1080T-PA-Z		
UNIT: mm		SCALE: FULL	REVISION: B/1
		<b>CNJST</b> 浙江捷仕泰电子有限公司 ZHEJIANG JIESHITAI ELECTRONIC CO., LTD	
AWG #18~#24	2.90mm(max)	6,000Pcs	Phosphor Bronze
Wire Range	Insulation O.D.	QTY/Reel	Material
			Tin-plated
			Plating
			Plating

Checked: 林旭芝

Approved: 刘祚杰

DWG NO. CNJST/GCDZ-0044

REV.	DATE	DESCRIPTION	APPD.	AWG #18~#24	2.90mm(max)	6,000Pcs	Phosphor Bronze	Tin-plated
	2013.01.01	NEW RELEASE		Wire Range	Insulation O.D.	QTY/Reel	Material	Plating