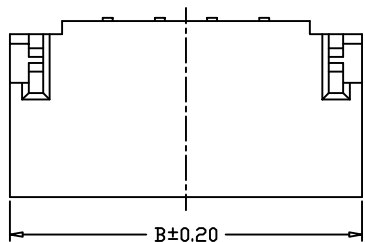
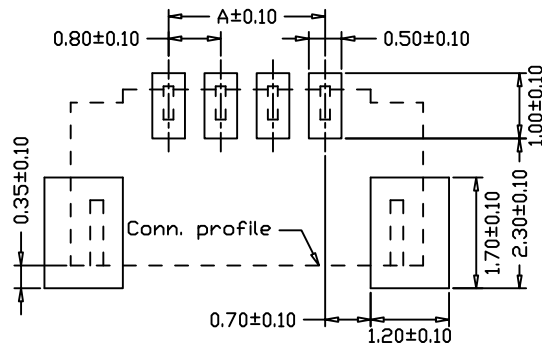


RoHS Compliant

成品图



(TOP VIEW)

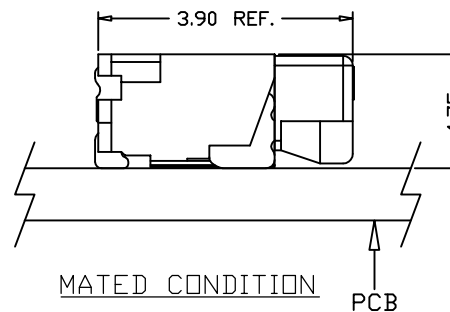
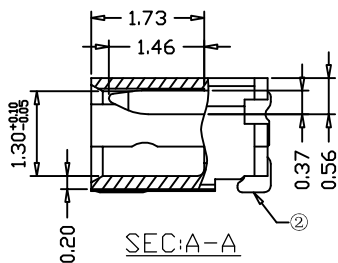
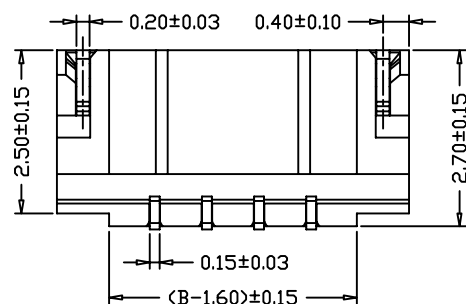
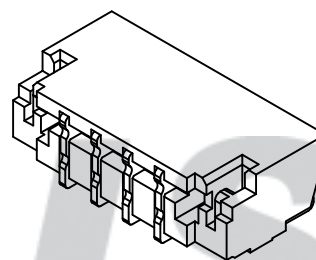
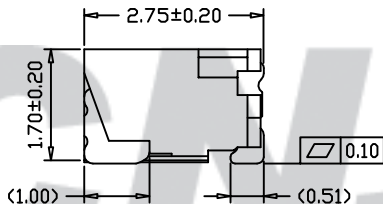
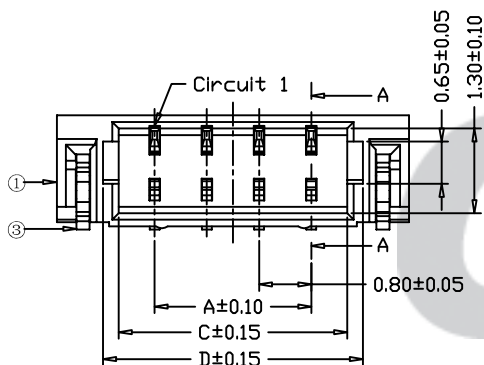
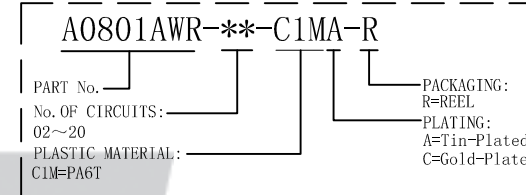


P.C.B. LAYOUT
(TOP VIEW)

SPECIFICATION

- 1 Contact resistance: $\leq 20m\Omega$
- 2 Insulation resistance: $\geq 100M\Omega$
- 3 Rated voltage: 30 V AC DC
- 4 Rated current: 0.5 A AC DC
- 5 Withstand Voltage: 200V AC/minute
- 6 Temperature Range: $-25^{\circ}C \sim +85^{\circ}C$

ORDER INFORMATION:



Circuit No.	Dimensions			
	A	B	C	D
02P	0.80	3.80	1.90	2.38
03P	1.60	4.60	2.70	3.18
04P	2.40	5.40	3.50	3.98
05P	3.20	6.20	4.30	4.78
06P	4.00	7.00	5.10	5.58
07P	4.80	7.80	5.90	6.38
08P	5.60	8.60	6.70	7.18
10P	7.20	10.20	8.30	8.78
12P	8.80	11.80	9.90	10.38
14P	10.40	13.40	11.50	11.98
15P	11.20	14.20	12.30	12.78
16P	12.00	15.00	13.10	13.58
17P	12.80	15.80	13.90	14.38
20P	15.20	18.20	16.30	16.78

Tolerance X.X ±0.30 X.XX ±0.20 X.XXX ±0.10 Angle ±3.0°	Model Name: 0.80mm pitch 90° Wafer-SMT TYPE	SCALE: FULL REVISION: B/0	Drawn: 张育斌 2016.06.11
	Model No: A0801AWR-**-C1MA-R		
UNIT: mm	CNJST 浙江捷仕泰电子有限公司 ZHEJIANG JIESHITAI ELECTRONIC CO., LTD		Approved: 刘祚杰
			DWG NO. CNJST/GCCP-0227

REV.	DATE	DESCRIPTION	APPD.	NO.	DESCRIPTION	QTY	MATERIAL	PLATING/COLOR
B/0	2016.04.12	NEW RELEASE		③	Solder Tab	2	Phosphor Bronze	Tin-plated
				②	Contacts	02~20	Phosphor Bronze	Tin-plated
				①	Insulator	1	PA6T (UL94V-0)	Nature