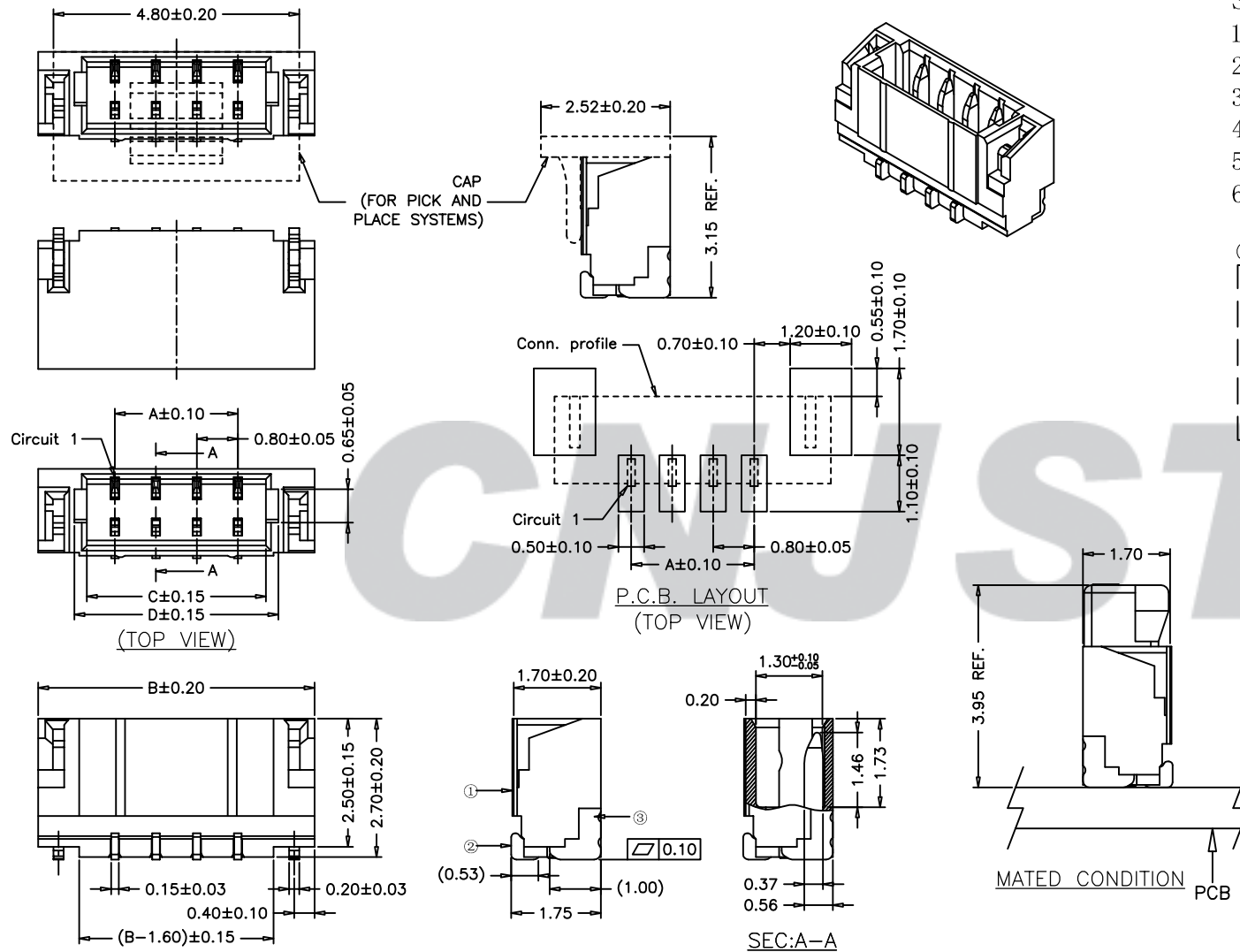


RoHS Compliant

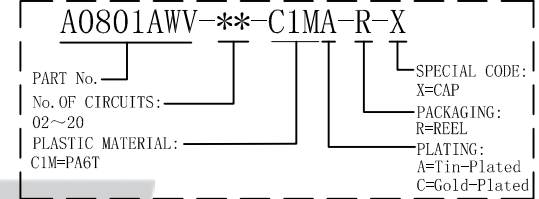
成品图



SPECIFICATION

- 1 Contact resistance: $\leq 20m\Omega$
- 2 Insulation resistance: $\geq 100M\Omega$
- 3 Rated voltage: 30 V AC DC
- 4 Rated current: 0.5 A AC DC
- 5 Withstand Voltage: 200V AC/minute
- 6 Temperature Range: $-25^{\circ}C \sim +85^{\circ}C$

ORDER INFORMATION:



Circuit No.	Dimensions			
	A	B	C	D
02P	0.80	3.80	1.90	2.38
03P	1.60	4.60	2.70	3.18
04P	2.40	5.40	3.50	3.98
05P	3.20	6.20	4.30	4.78
06P	4.00	7.00	5.10	5.58
07P	4.80	7.80	5.90	6.38
08P	5.60	8.60	6.70	7.18
10P	7.20	10.20	8.30	8.78
12P	8.80	11.80	9.90	10.38
14P	10.40	13.40	11.50	11.98
15P	11.20	14.20	12.30	12.78
16P	12.00	15.00	13.10	13.58
17P	12.80	15.80	13.90	14.38
20P	15.20	18.20	16.30	16.78

NO.	DESCRIPTION	QTY	MATERIAL	PLATING/COLOR
④	Cap	1	LCP(UL94V-0)	Nature
③	Solder Tab	2	Phosphor Bronze	Tin-plated
②	Contacts	02~20	Phosphor Bronze	Tin-plated
①	Insulator	1	PA6T(UL94V-0)	Nature

Tolerance	Model Name: 0.80mm pitch 180° WAFER-SMT TYPE	SCALE: FULL	REVISION: B/0
X.X ±0.30 X.XX ±0.20 X.XXX ±0.10 Angle ±3.0°	Model No: A0801AWV-**-C1MA-R-X		
UNIT: mm	CNJST 浙江捷仕泰电子有限公司 ZHEJIANG JIESHITAI ELECTRONIC CO., LTD		

Drawn: 张育斌 2016.06.11
Checked: 林旭芝
Approved: 刘祚杰
DWG NO. CNJST/GCCP-0226

REV.	DATE	DESCRIPTION	APPD.
B/0	2016.04.12	NEW RELEASE	