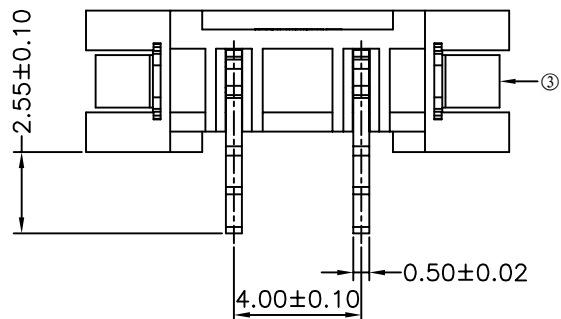


RoHS Compliant

成品图



ORDER INFORMATION:

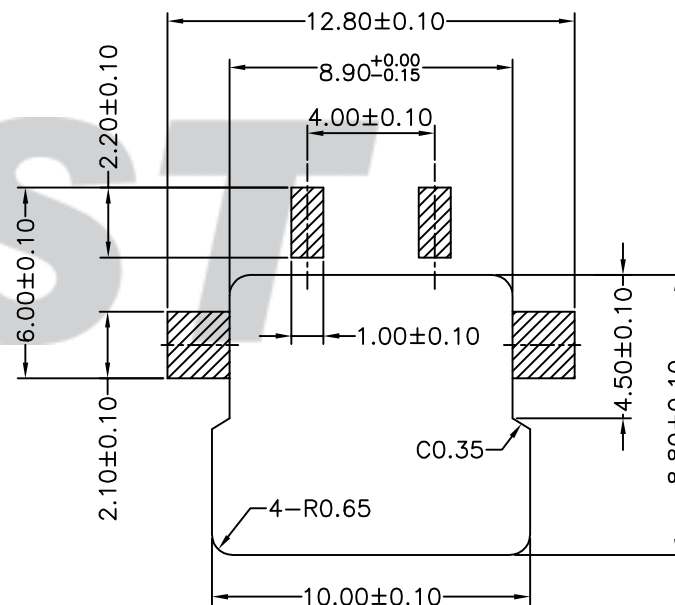
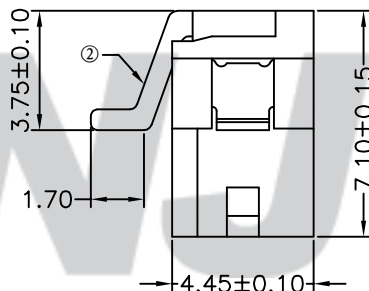
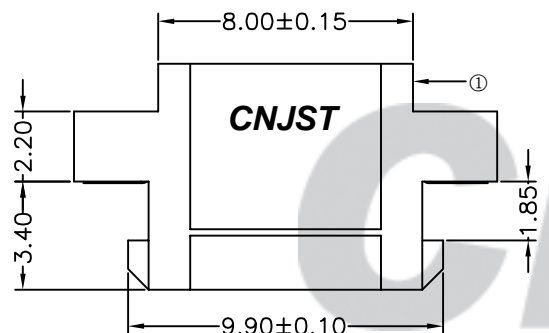
**A4004AWV-02-C1MA-G**

PART No. \_\_\_\_\_  
 No. OF CIRCUITS: \_\_\_\_\_  
 02  
 PLASTIC MATERIAL: \_\_\_\_\_  
 C1M=PA6T (BEIGE)  
 D1M=PA9T (BEIGE)

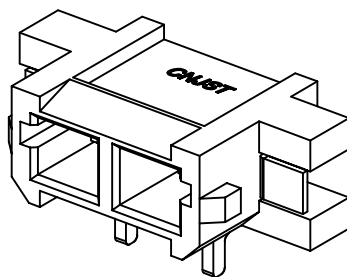
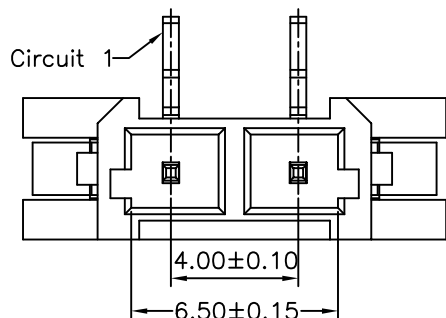
PACKAGING: \_\_\_\_\_  
 G=TUBE  
 PLATING: \_\_\_\_\_  
 A=Tin-Plated

SPECIFICATION

- 1 Contact resistance:  $\leq 10m\Omega$
- 2 Insulation resistance:  $\geq 1000M\Omega$
- 3 Rated voltage: 2000 V AC DC
- 4 Rated current: 1.0 A AC DC
- 5 Withstand Voltage: 1800V AC/minute
- 6 Temperature Range:  $-25^{\circ}C \sim +85^{\circ}C$



SUGGESTED PCB LAYOUT  
(COMPONENT SIDE)



B/O	2016.04.12	NEW RELEASE	
REV.	DATE	DESCRIPTION	APPD.
1			

③	Solder Tabs	2	Phosphor Bronze	Tin-plated
②	Contacts	2	Phosphor Bronze	Tin-plated
①	Insulator	1	PA6T (UL94V-0)	Nature
NO.	DESCRIPTION	QTY	MATERIAL	PLATING/COLOR

Tolerance X.X ±0.30 X.XX ±0.20 X.XXX ±0.10 Angle ±3.0°	Model Name: 4.00mm pitch 180° Wafer-SMT TYPE		SCALE: FULL REVISION: B/0	Drawn: 张育斌 2016.06.11 Checked: 林旭芝 Approved: 刘祚杰
	Model No: A4004AWV-02-C1MA-G			
UNIT: mm	<b>CNJST</b> 浙江捷仕泰电子有限公司 ZHEJIANG JIESHITAI ELECTRONIC CO., LTD			DWG NO. CNJST/GCCP-0243