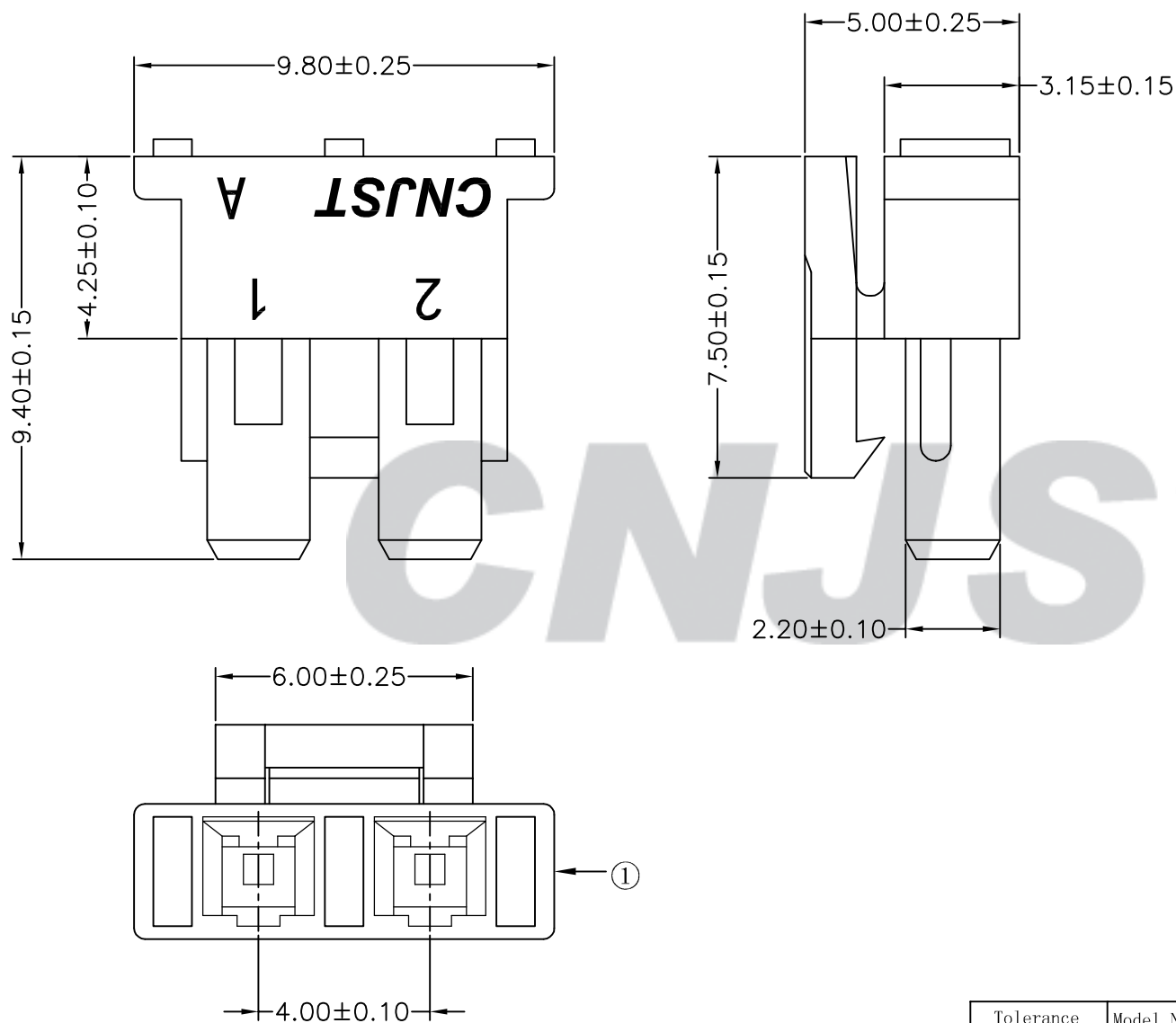


RoHS Compliant

成品图

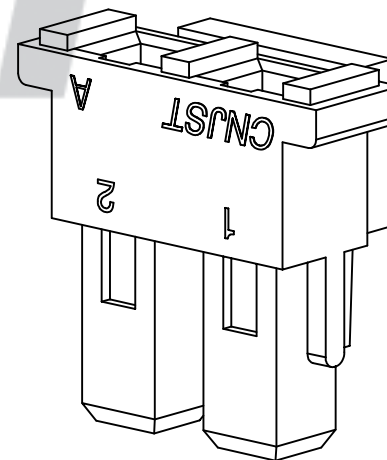


SPECIFICATION

- 1 Contact resistance: $\leq 10m\Omega$
- 2 Insulation resistance: $\geq 1000M\Omega$
- 3 Rated voltage: 2000 V AC DC
- 4 Rated current: 1.0 A AC DC
- 5 Withstand Voltage: 1800V AC/minute
- 6 Temperature Range: $-25^{\circ}C \sim +85^{\circ}C$

ORDER INFORMATION:

A4004Y-02-A6W-P		
PART No.		PACKAGING: P=PE
No. OF CIRCUITS: 02		PLASTIC MATERIAL: A6W=PA66 (WHITE) A6G=PA66 (GREY)



Tolerance X.X ±0.30 X.XX ±0.20 X.XXX ±0.10 Angle ±3.0°	Model Name: 4.00mm pitch Housing	Drawn: 张育斌 2016.06.11
	Model No: A4004Y-02-A6W-P	
UNIT: mm	SCALE: FULL	REVISION: B/0
	CNJST 浙江捷仕泰电子有限公司 ZHEJIANG JIESHITAI ELECTRONIC CO., LTD	
		Checked: 林旭芝
		Approved: 刘祚杰
		DWG NO. CNJST/GCCP-0242

REV.	DATE	DESCRIPTION	APPD.	NO.	DESCRIPTION	QTY	MATERIAL	PLATING/COLOR
B/0	2016.04.12	NEW RELEASE		①	Insulator	1	PA66 (UL94V-0)	White