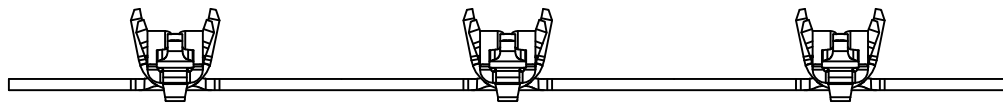
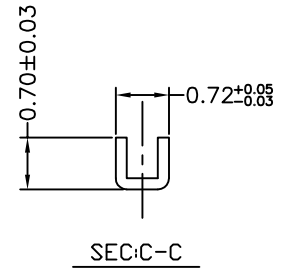
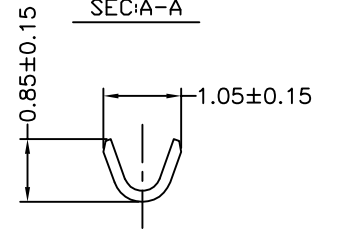
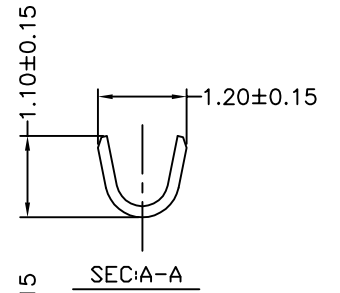
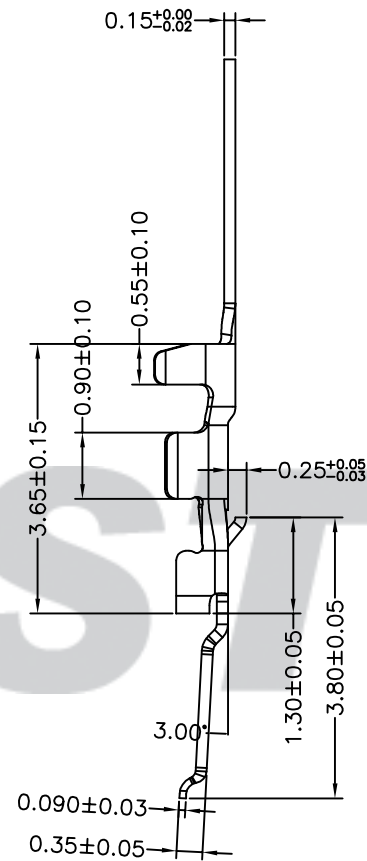
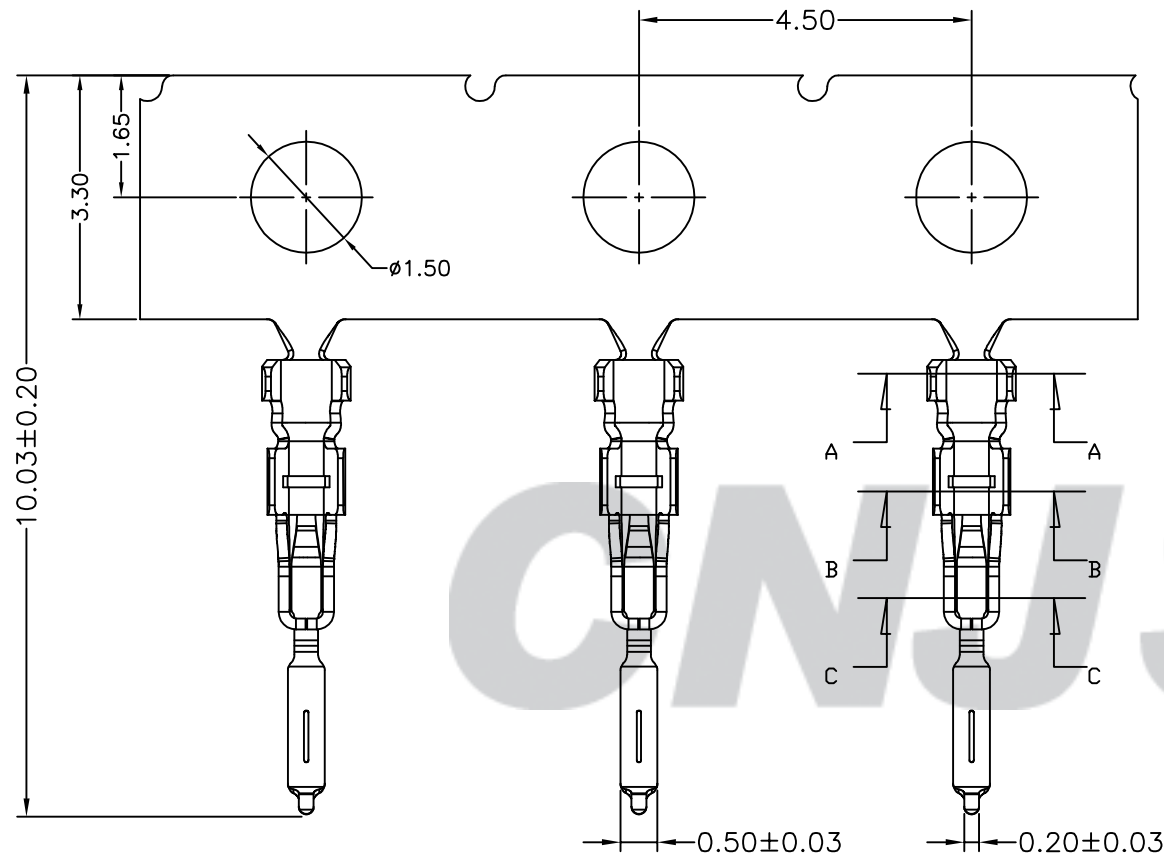


RoHS Compliant

端子图



Notes:

1. 材质：磷铜 C5191R-H 厚度0.15mm.
2. 毛刺：0.03mm MAX
3. 料带无变形、扭曲等不良

Tolerance X.X ±0.30 X.XX ±0.20 X.XXX ±0.10 Angle ±3.0°	Model Name: 1.00mm PITCH CRIMP TERMINAL	Drawn: 张育斌2016.06.13
	Model No: A1006T-PC-Z	
UNIT: mm	SCALE: FULL	REVISION: B/1
	Checked: 林旭芝	
Approved: 刘祚杰		DWG NO. CNJST/GCDZ-0031
CNJST 浙江捷仕泰电子有限公司 ZHEJIANG JIESHITAI ELECTRONIC CO., LTD		

REV.	DATE	DESCRIPTION	APPD.	Wire Range	Insulation O.D.	QTY/Reel	Material	Plating
1	2013.01.01	NEW RELEASE		AWG #28~#32	0.50mm(max)	15,000Pcs	Phosphor Bronze	Gold-plsted