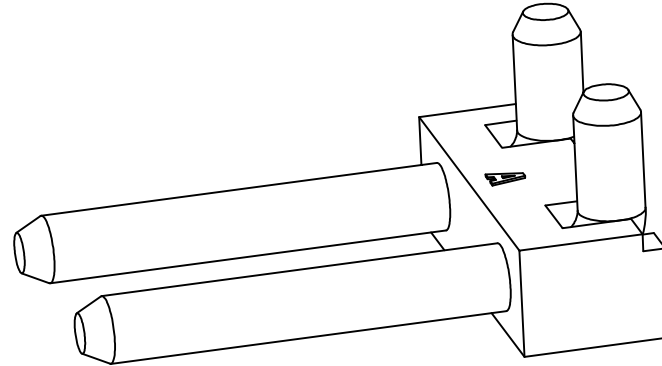
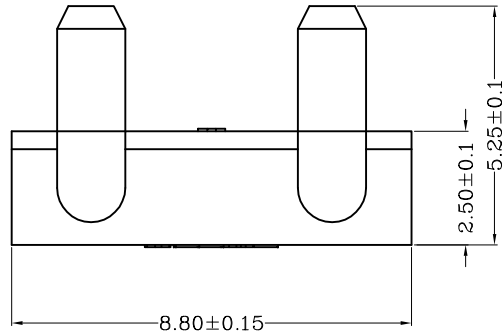


RoHS Compliant

成品图



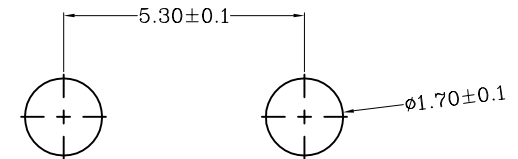
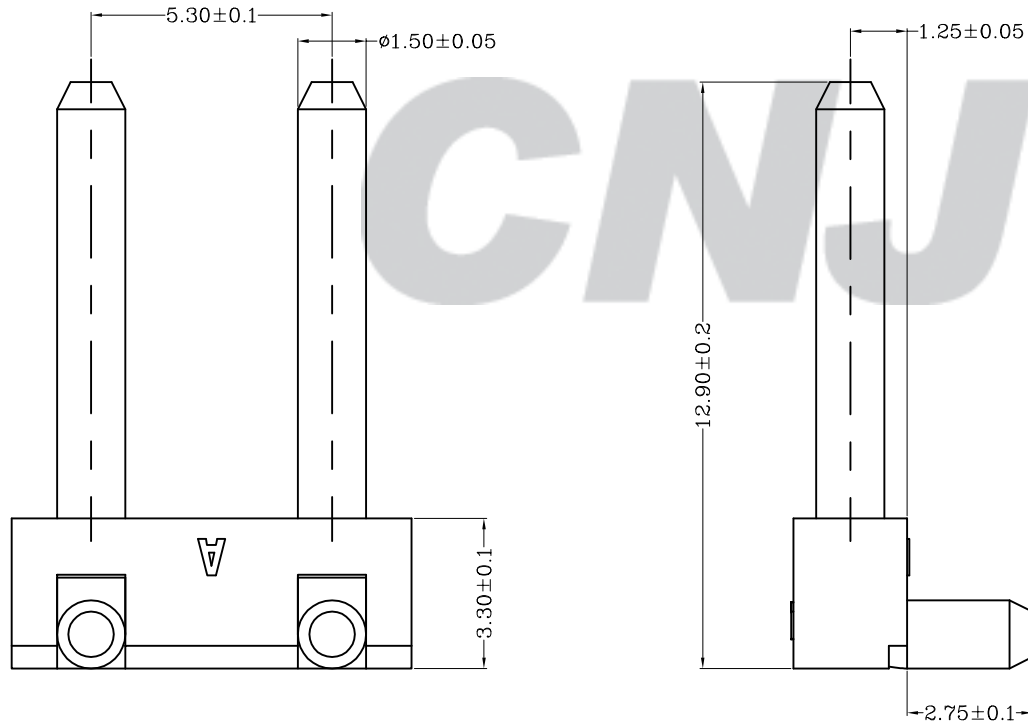
SPECIFICATION

- 1 Contact resistance: $\leq 20m\Omega$
- 2 Insulation resistance: $\geq 1000M\Omega$
- 3 Rated voltage: 250 V AC DC
- 4 Rated current: 3.0 A AC DC
- 5 Withstand Voltage: 1000V AC/minute
- 6 Temperature Range: $-25^{\circ}C \sim +105^{\circ}C$

ORDER INFORMATION:

T5303G-02-F2MA-A

PART No.			
No. OF CIRCUITS:	02	PACKAGING:	A=Tray
PLASTIC MATERIAL:	F2M=LCP (Nature)	PLATING:	A=Tin-plated



PCB LAYOUT

B/0	2016.04.18	NEW RELEASE	
REV.	DATE	DESCRIPTION	APPD.

②	Material	2	Brass	Tin-plated
①	Insulator	1	LCP (UL94V-0)	Nature (Beige)
NO.	DESCRIPTION	QTY	MATERIAL	PLATING/COLOR

Tolerance	Model Name: 5.30mm Pitch 180° Wafer		Drawn: 蔡忠忠 2016.04.18
X.X ±0.30 X.XX ±0.20 X.XXX ±0.10 Angle ±3.0°	Model No: T5303G-02-F2MA-A		
UNIT: mm	SCALE: FULL	REVISION: B/0	Checked: 林旭芝
	CNJST 江苏捷仕泰电子科技有限公司 JIANGSU JIESHITAI ELECTRONIC TECHNOLOGY CO., LTD		Approved: 刘祚杰
			DWG NO. CNJST/GCCP-0477