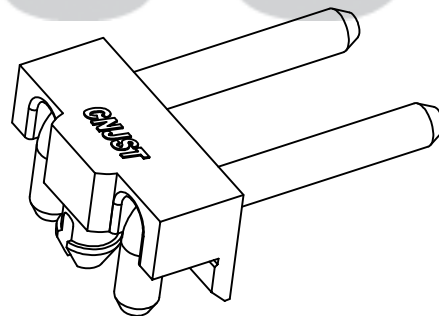
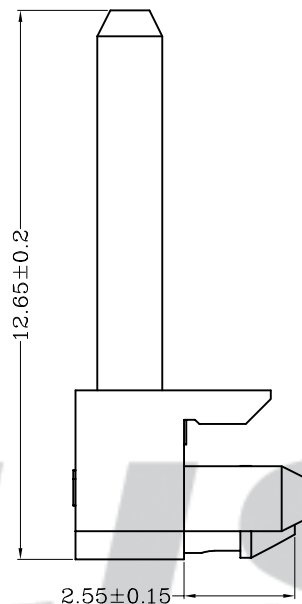
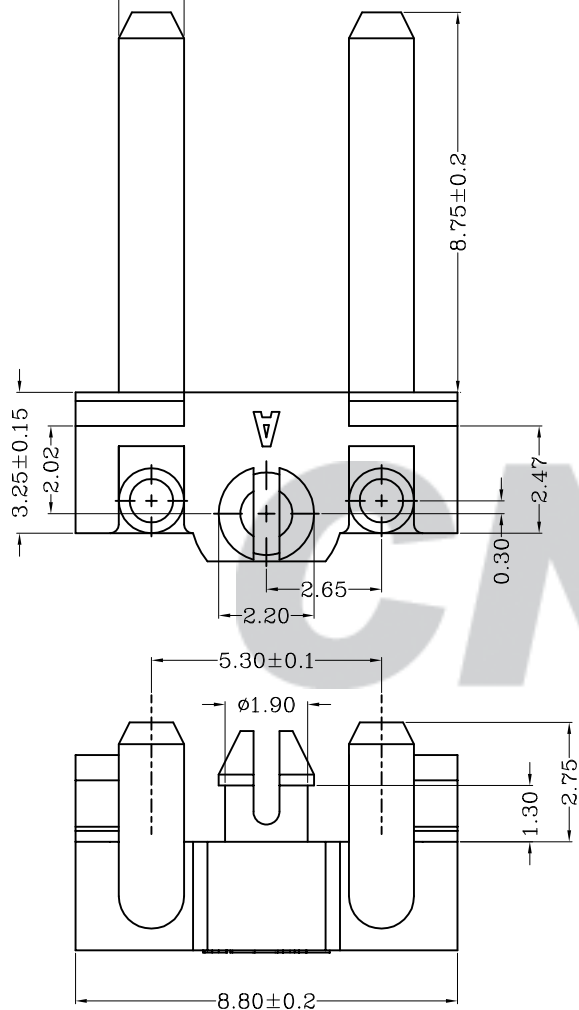


RoHS Compliant

成品图

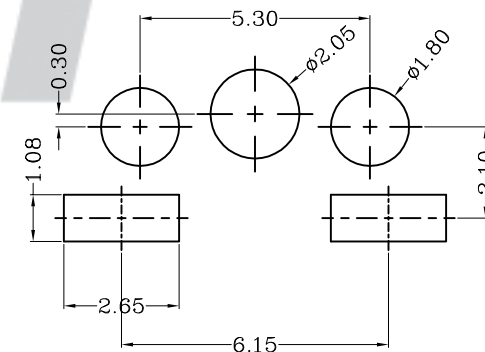
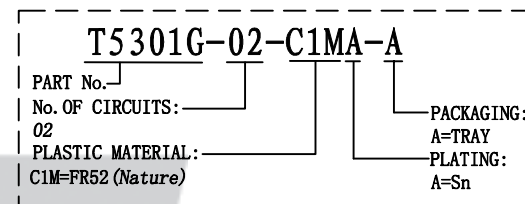
2- $\phi 1.50 \pm 0.05$



SPECIFICATION

- 1 Contact resistance: $\leq 20m\Omega$
- 2 Insulation resistance: $\geq 1000M\Omega$
- 3 Rated voltage: 250V AC DC
- 4 Rated current: 3.0A AC DC
- 5 Withstand Voltage: 2000V AC/minute
- 6 Temperature Range: $-25^{\circ}C \sim +105^{\circ}C$

ORDER INFORMATION:

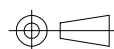


SUGGESTED PCB LAYOUT
(COMPONENT SIDE)

专利产品

REV.	DATE	DESCRIPTION	APPD.
B/0	2016.04.18	NEW RELEASE	

NO.	DESCRIPTION	QTY	MATERIAL	PLATING/COLOR
②	Material	2	Brass	Tin-plated
①	Insulator	1	FR52 (UL94V-0)	Nature

Tolerance X.X ± 0.30 X.XX ± 0.20 X.XXX ± 0.10 Angle $\pm 3.0^{\circ}$	Model Name: 1.00mm Pitch 90° Single Row Wafer With Lock-SMT TYPE		SCALE: FULL	REVISION: B/0
	Model No: T5301G-02-C1MA-A			
				
UNIT: mm	CNJST 江苏捷仕泰电子科技有限公司 JIANGSU JIESHITAI ELECTRONIC TECHNOLOGY CO., LTD			

Drawn: 蔡忠忠 2016.04.18
Checked: 林旭芝
Approved: 刘祚杰
DWG NO. CNJST/GCCP-0438