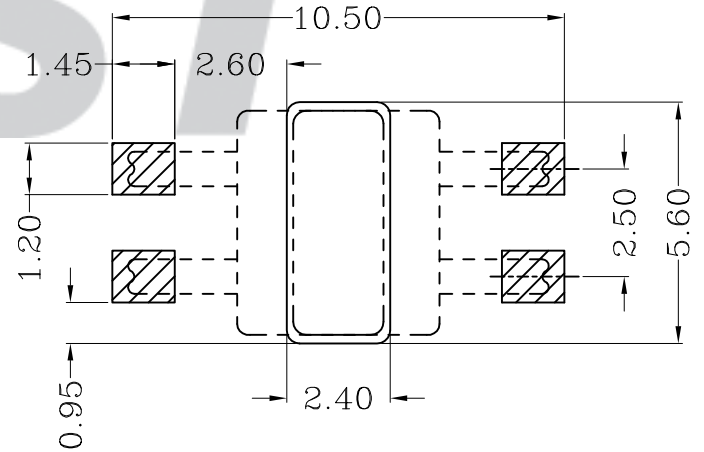
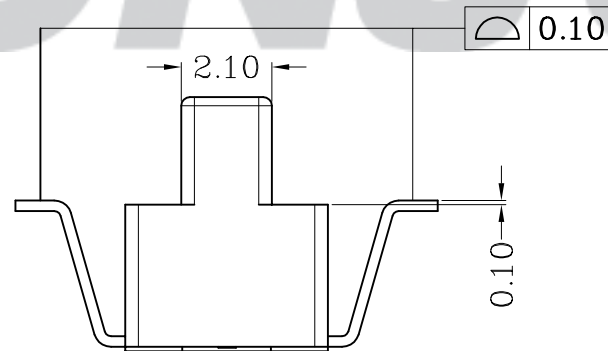
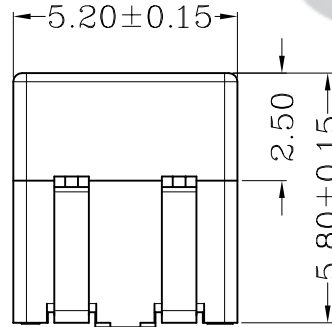
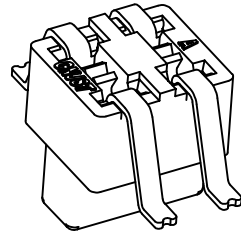
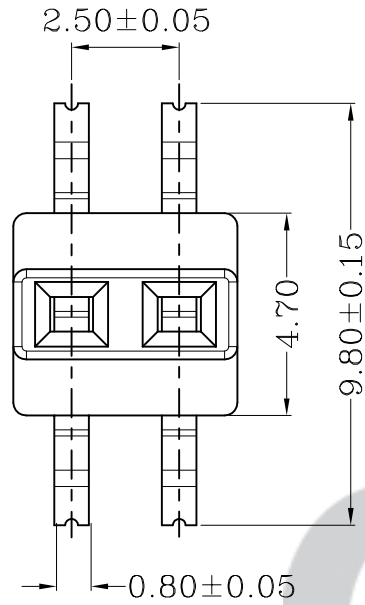


RoHS Compliant

成品图



SPECIFICATION

- 1 Contact resistance: $\leq 20m\Omega$
- 2 Insulation resistance: $\geq 1000M\Omega$
- 3 Rated voltage: 300 V AC DC
- 4 Rated current: 1.0 A AC DC
- 5 Withstand Voltage: 2000V AC/minute
- 6 Temperature Range: $-25^{\circ}C \sim +105^{\circ}C$

ORDER INFORMATION:

T2502MG-02-F2MB-R

PART No. _____

No. OF CIRCUITS: _____

02

PLASTIC MATERIAL: _____

F2M=LCP (Nature)

PACKAGING: _____

R=Reel

PLATING: _____

B=Mattn Sn

RECOMMENDED PCB LAYOUT
TOLERANCE (XX±0.05)

专利产品

| | | |
|--|---|-------------------------|
| Tolerance X.X ±0.30 X.XX ±0.20 X.XXX ±0.10 Angle ±3.0° | Model Name: 2.50mm Pitch 180° Wafer-SMT TYPE Model No: T2502MG-02-F2MB-R | Drawn: 蔡忠忠 2016.04.16 |
| UNIT: mm | SCALE: FULL REVISION: B/0 | Checked: 林旭芝 |
| | CNJST 浙江捷仕泰电子有限公司 ZHEJIANG JIESHITAI ELECTRONIC CO., LTD | Approved: 刘祚杰 |
| | | DWG NO. CNJST/GCCP-0431 |

| REV. | DATE | DESCRIPTION | APPD. | NO. | DESCRIPTION | QTY | MATERIAL | PLATING/COLOR |
|------|------------|-------------|-------|-----|-------------|-----|-----------------|----------------|
| B/0 | 2016.04.16 | NEW RELEASE | | ② | Material | 4 | Phosphor Bronze | Mattn Sn |
| | | | | ① | Insulator | 1 | LCP (UL94V-0) | Nature (Beige) |