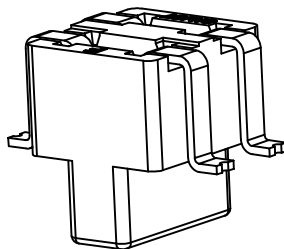
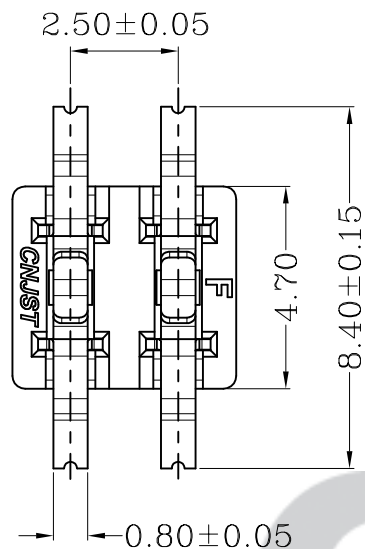


RoHS Compliant

成品图



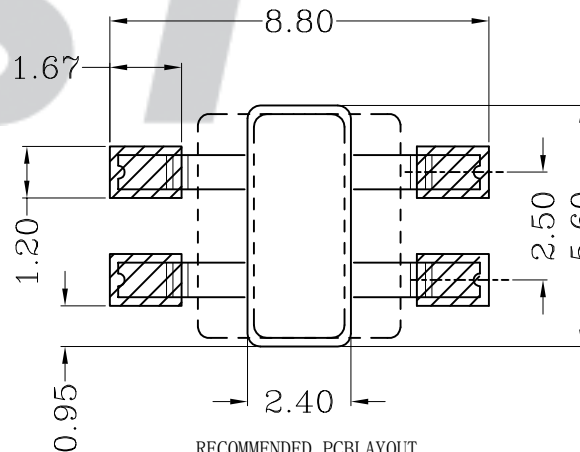
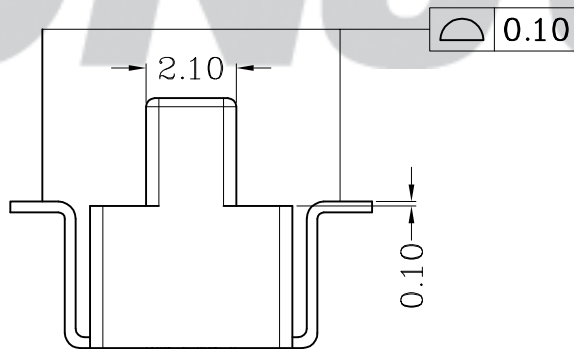
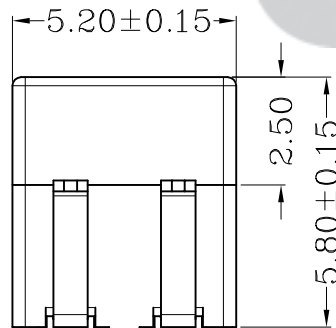
SPECIFICATION

- 1 Contact resistance: $\leq 20m\Omega$
- 2 Insulation resistance: $\geq 1000M\Omega$
- 3 Rated voltage: 250 V AC DC
- 4 Rated current: 1.0 A AC DC
- 5 Withstand Voltage: 2000V AC/minute
- 6 Temperature Range: $-25^{\circ}C \sim +105^{\circ}C$

ORDER INFORMATION:

T2502M-02-F2MB-R

PART No.:			
No. OF CIRCUITS:	02	PACKAGING:	R=Reel
PLASTIC MATERIAL:	F2M=LCP (Nature)	PLATING:	B=Mattn Sn



RECOMMENDED PCB LAYOUT
TOLERANCE (XX ± 0.05)

专利产品

Tolerance X.X ±0.30 X.XX ±0.20 X.XXX ±0.10 Angle ±3.0°	Model Name: 2.50mm Pitch 180° Wafer-SMT TYPE	SCALE: FULL	REVISION: B/0	Drawn: 蔡忠忠 2016.04.16
	Model No: T2502M-02-F2MB-R			
UNIT: mm			Approved: 刘祚杰	DWG NO. CNJST/GCCP-0443
	CNJST 浙江捷仕泰电子有限公司 ZHEJIANG JIESHITAI ELECTRONIC CO., LTD			

REV.	DATE	DESCRIPTION	APPD.	NO.	DESCRIPTION	QTY	MATERIAL	PLATING/COLOR
B/0	2016.04.16	NEW RELEASE		②	Material	4	Phosphor Bronze	Mattn Sn
				①	Insulator	1	LCP (UL94V-0)	Nature (Beige)