

RoHS Compliant

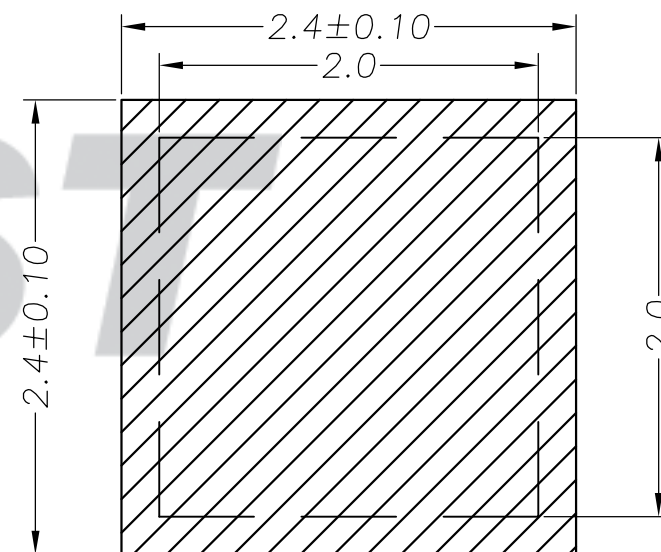
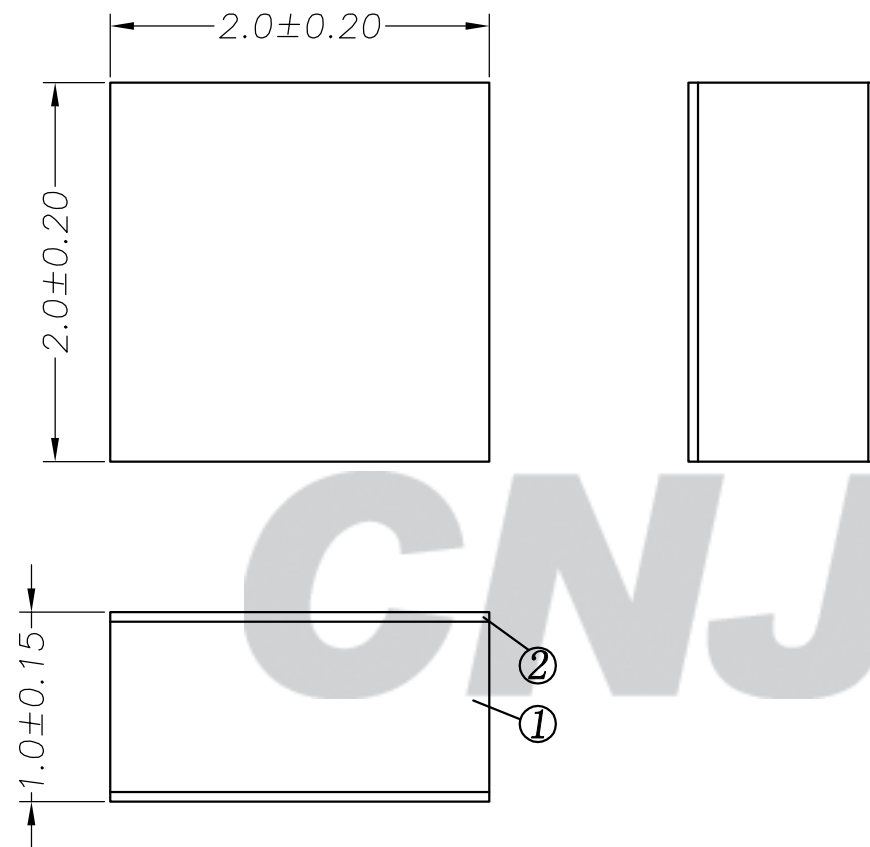
成品图

ORDER INFORMATION:

D-202010-P1MN-R

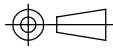
PART No. _____
 Length _____
 Width _____
 Height _____
 PLASTIC MATERIAL: _____
 P1M=PCB (BEIGE)

PACKAGING:
 R=REEL
 PLATING:
 N=Ni



SUGGESTED PCB LAYOUT
 (COMPONENT SIDE)

注：由于产品材质及加工工艺的特殊性，无法克服激光切割时残留的毛刺，请在选材时考虑这些因素，建议产品下方请勿布线。

Tolerance X.X ±0.30 X.XX ±0.20 X.XXX ±0.10 Angle ±3.0°	Model Name: Stopper	SCALE: FULL	REVISION: B/0	Drawn: 蔡忠忠 2016.05.12
	Model No: D-202010-P1MN-R			
UNIT: mm			Approved: 刘祚杰	DWG NO. CNJST/GCCP-0351
CNJST 浙江捷仕泰电子有限公司 ZHEJIANG JIESHITAI ELECTRONIC CO., LTD				

REV.	DATE	DESCRIPTION	APPD.	NO.	DESCRIPTION	QTY	MATERIAL	PLATING/COLOR
B/0	2016.05.12	NEW RELEASE		②	Contacts	2	Brass	Ni-plated
				①	Insulator	1	PCB (FR4)	Beige