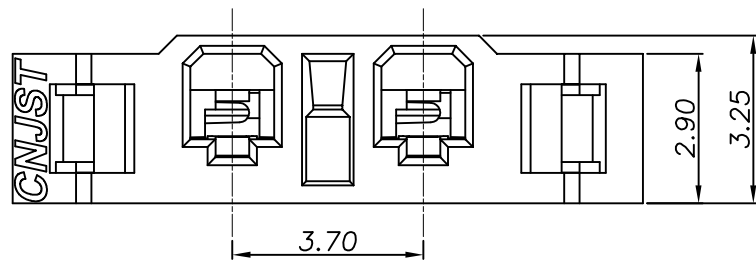
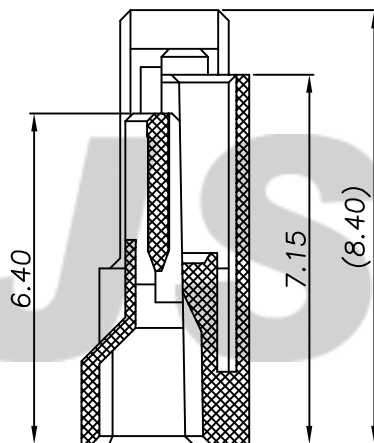
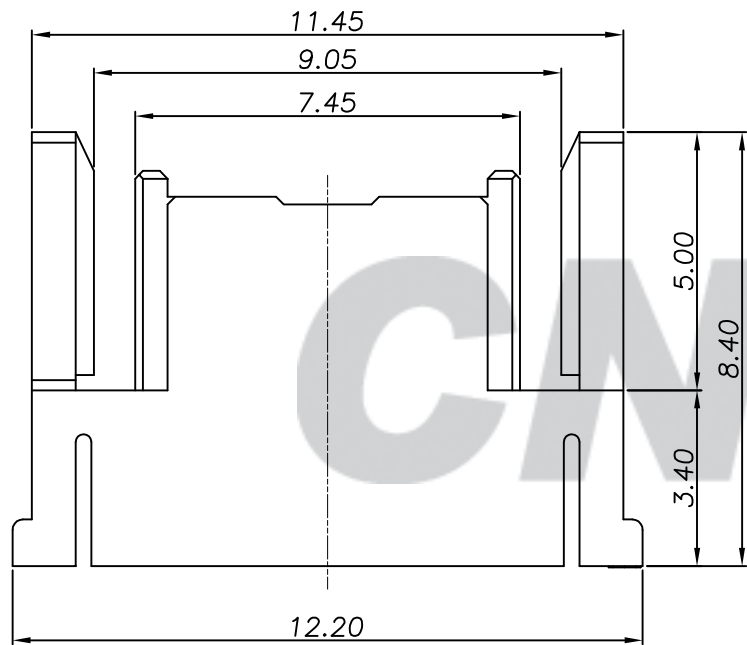
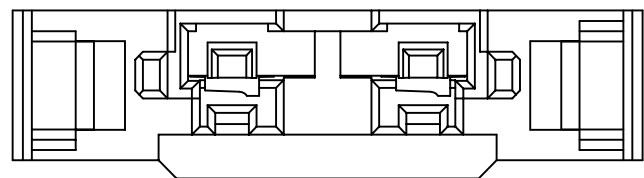


RoHS Compliant

成品图



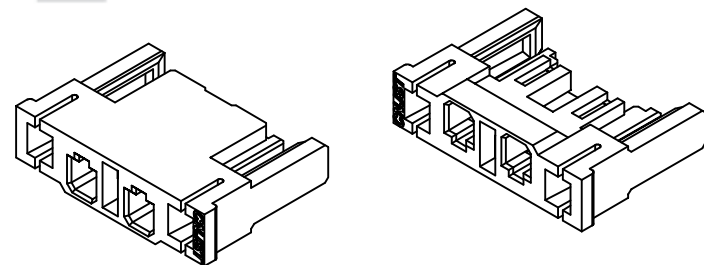
SPECIFICATION

- 1 Contact resistance:  $\leq 40\text{m}\Omega$
- 2 Insulation resistance:  $\geq 1000\text{M}\Omega$
- 3 Rated voltage: 500 V AC DC
- 4 Rated current: 2 A AC DC
- 5 Withstand Voltage: 1500V AC/minute
- 6 Temperature Range:  $-40^\circ\text{C} \sim +85^\circ\text{C}$

ORDER INFORMATION:

**B3701Y-02-A6W-P**

PART No. \_\_\_\_\_  
 No. OF CIRCUITS: \_\_\_\_\_ PACKAGING: P=PE  
 2P  
 PLASTIC MATERIAL: \_\_\_\_\_  
 A6W=PA66 (WHITE)



专利产品

Tolerance X.X $\pm 0.30$ X.XX $\pm 0.20$ X.XXX $\pm 0.10$ Angle $\pm 3.0^\circ$	Model Name: 3.70mm pitch Housing		Drawn: 张育斌 2016.04.16
	Model No: B3701Y-02-A6W-P		
		SCALE: FULL	REVISION: B/0
	Approved: 刘祚杰		
UNIT: mm	CNJST 浙江捷仕泰电子有限公司 ZHEJIANG JIESHITAI ELECTRONIC CO., LTD		DWG NO. CNJST/GCCP-0356

B/0	2016.04.12	NEW RELEASE		①	HOUSING	1	PA66 (UL94V-0)	WHITE
REV.	DATE	DESCRIPTION	APPD.	NO.	DESCRIPTION	QTY	MATERIAL	PLATING/COLOR