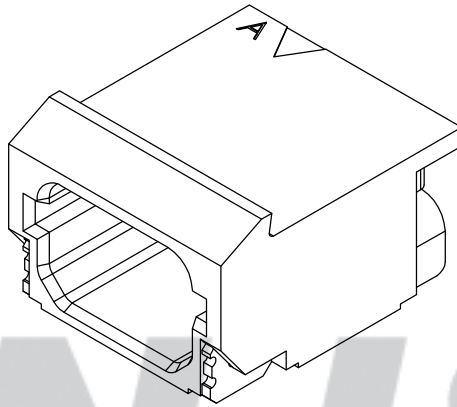
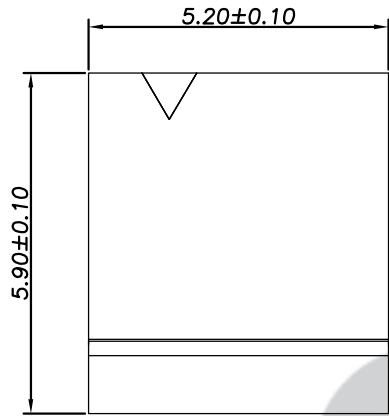


RoHS Compliant

成品图

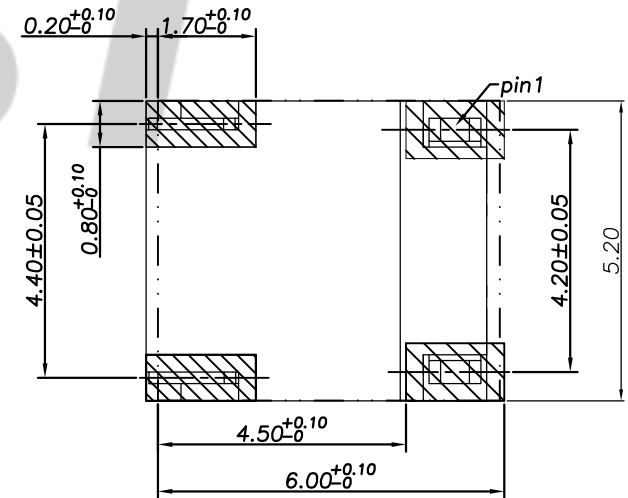
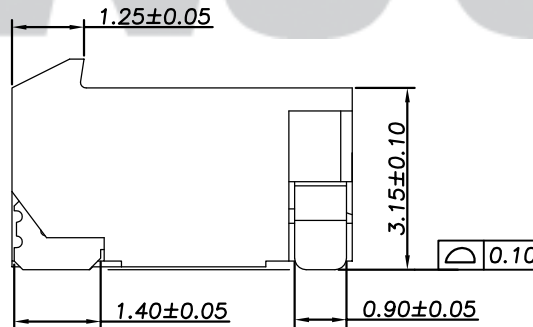
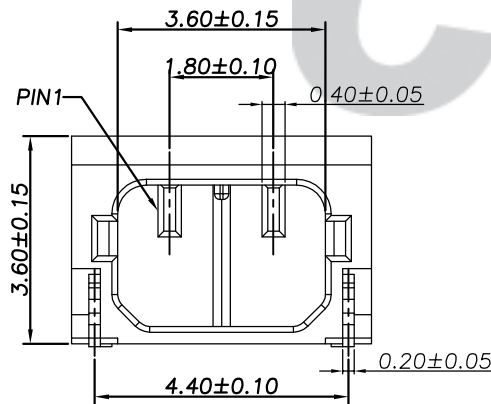


SPECIFICATION

- 1 Contact resistance: $\leq 10m\Omega$
- 2 Insulation resistance: $\geq 1000M\Omega$
- 3 Rated voltage: 350 V AC DC
- 4 Rated current: 4.0 A AC DC
- 5 Withstand Voltage: 1700V AC/minute
- 6 Temperature Range: $-25^{\circ}C \sim +85^{\circ}C$

ORDER INFORMATION:

A1801AWRR-02-F2MB-R	
PART No.:	
No. OF CIRCUITS:	02
PLASTIC MATERIAL:	F2M=LCP(Nature)
PACKAGING:	R=Reel
PLATING:	B=Matte Sn



PCB LAYOUT

专利产品

REV.	DATE	DESCRIPTION	APPD.	NO.	DESCRIPTION	QTY	MATERIAL	PLATING/COLOR
B/0	2016.04.12	NEW RELEASE		③	Solder Tab	2	Phosphor Bronze	Mattn Sn
				②	Contacts	2	Phosphor Bronze	Mattn Sn
				①	Insulator	1	LCP(UL94V-0)	Nature

Tolerance	Model Name: 1.80mm pitch 90° AWFER-SMT TYPE	Drawn: 张育斌 2016.04.13
X.X ±0.30 X.XX ±0.20 X.XXX ±0.10 Angle ±3.0°	Model No: A1801AWRR-02-F2MB-R	
UNIT: mm	SCALE: FULL REVISION: B/0	Checked: 林旭芝
	CNJST 浙江捷仕泰电子有限公司 ZHEJIANG JIESHITAI ELECTRONIC CO., LTD	Approved: 刘祚杰
		DWG NO. CNJST/GCCP-0313