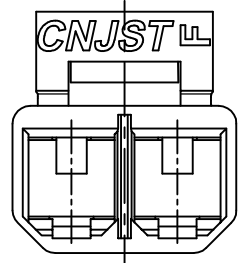
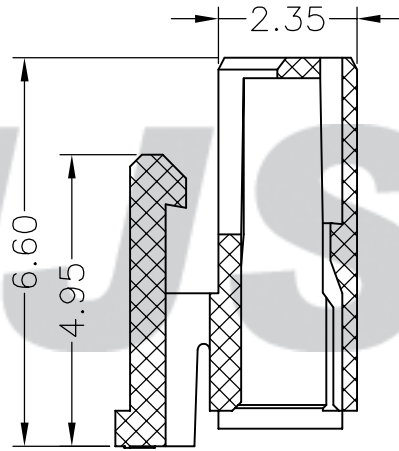
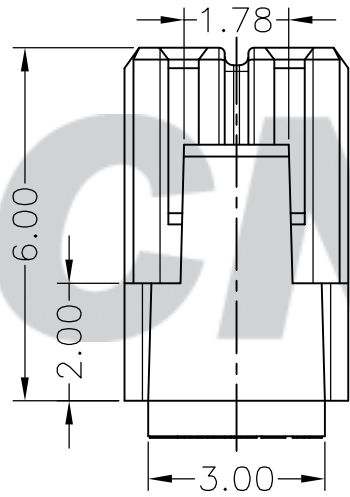
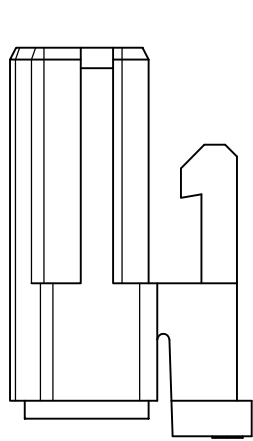
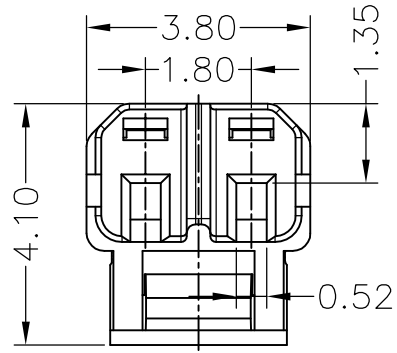


RoHS Compliant

成品图

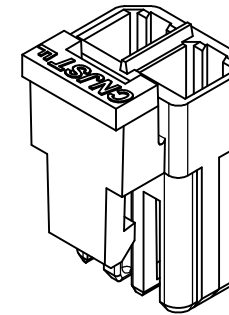


SPECIFICATION

- 1 Contact resistance:  $\leq 10m\Omega$
- 2 Insulation resistance:  $\geq 1000M\Omega$
- 3 Rated voltage: 350 V AC DC
- 4 Rated current: 4.0 A AC DC
- 5 Withstand Voltage: 1700V AC/minute
- 6 Temperature Range:  $-25^{\circ}C \sim +85^{\circ}C$

ORDER INFORMATION:

<b>A1801YR-02-A6W-P</b>		
PART No.		PACKAGING:
No. OF CIRCUITS:		P=PE
02		
PLASTIC MATERIAL:		
A6W=PA66 (White)		



Tolerance X.X ±0.30 X.XX ±0.20 X.XXX ±0.10 Angle ±3.0°	Model Name: 1.80mm pitch HOUSING	Drawn: 张育斌 2016.05.20
	Model No: A1801YR-02-A6W-P	
UNIT: mm	SCALE: FULL	REVISION: B/0
	<b>CNJST</b> 浙江捷仕泰电子有限公司 ZHEJIANG JIESHITAI ELECTRONIC CO., LTD	
		Checked: 林旭芝
		Approved: 刘祚杰
		DWG NO. CNJST/GCCP-0385

REV.	DATE	DESCRIPTION	APPD.	NO.	DESCRIPTION	QTY	MATERIAL	PLATING/COLOR
B/0	2016.04.12	NEW RELEASE		①	Insulator	1	PA66 (UL94V-0)	White