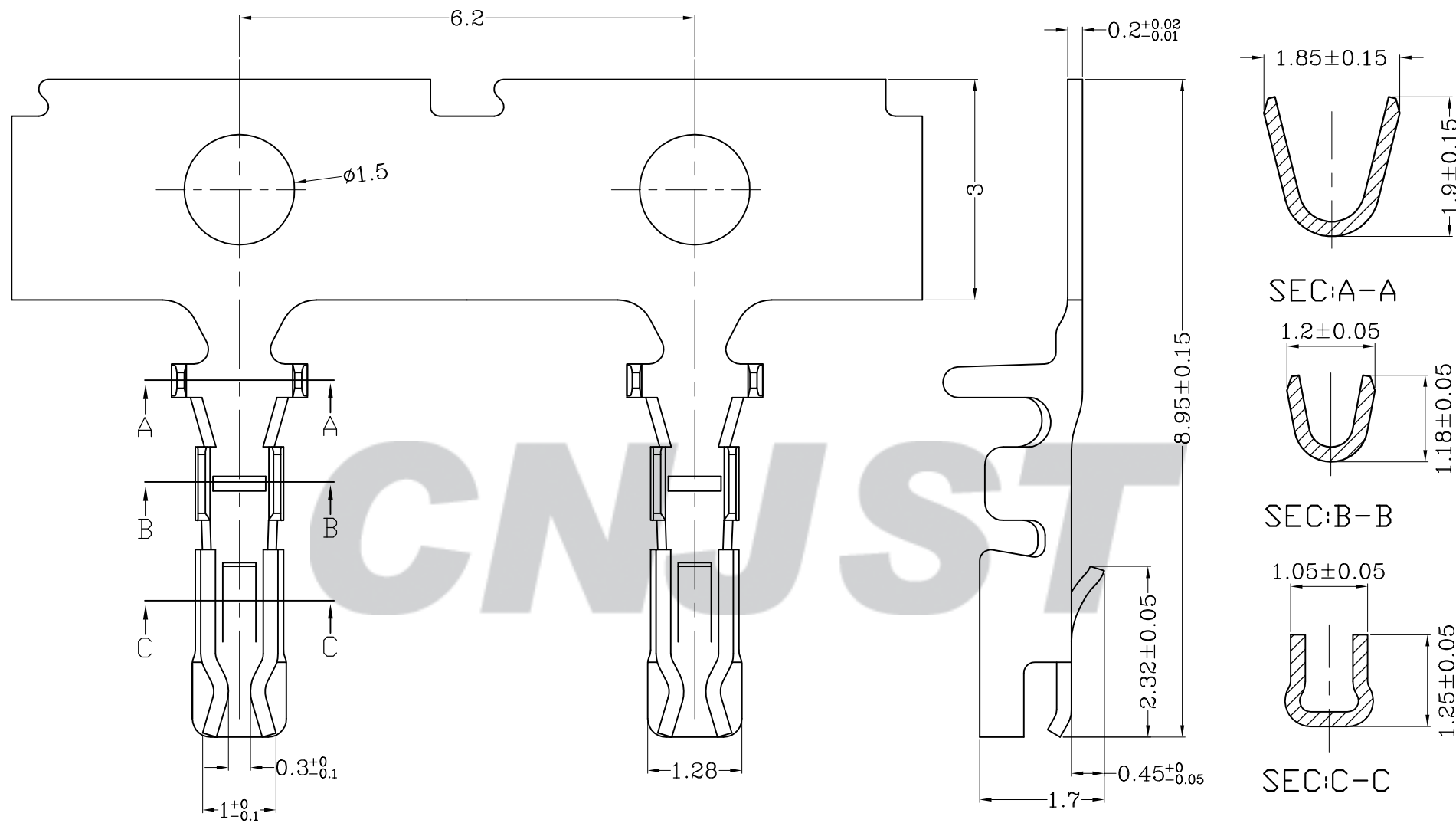


RoHS Compliant

端子图



Tolerance X.X ± 0.30 X.XX ± 0.20 X.XXX ± 0.10 Angle $\pm 3.0^\circ$	Model Name: 1.80mm PITCH CRIMP TERMINAL		Drawn: 张育斌 2016.06.29
	Model No: A1801T-PA-Z		
UNIT: mm		SCALE: FULL	REVISION: B/1
		CNJST 浙江捷仕泰电子有限公司 ZHEJIANG JIESHITAI ELECTRONIC CO., LTD	
AWG #26~#28 Wire Range	13,000Pcs Insulation O.D.	Phosphor Bronze Material	Tin-plated Plating
REV.	DATE	DESCRIPTION	APPD.

Checked: 林旭芝
Approved: 刘祚杰
DWG NO. CNJST/GCDZ-0084

