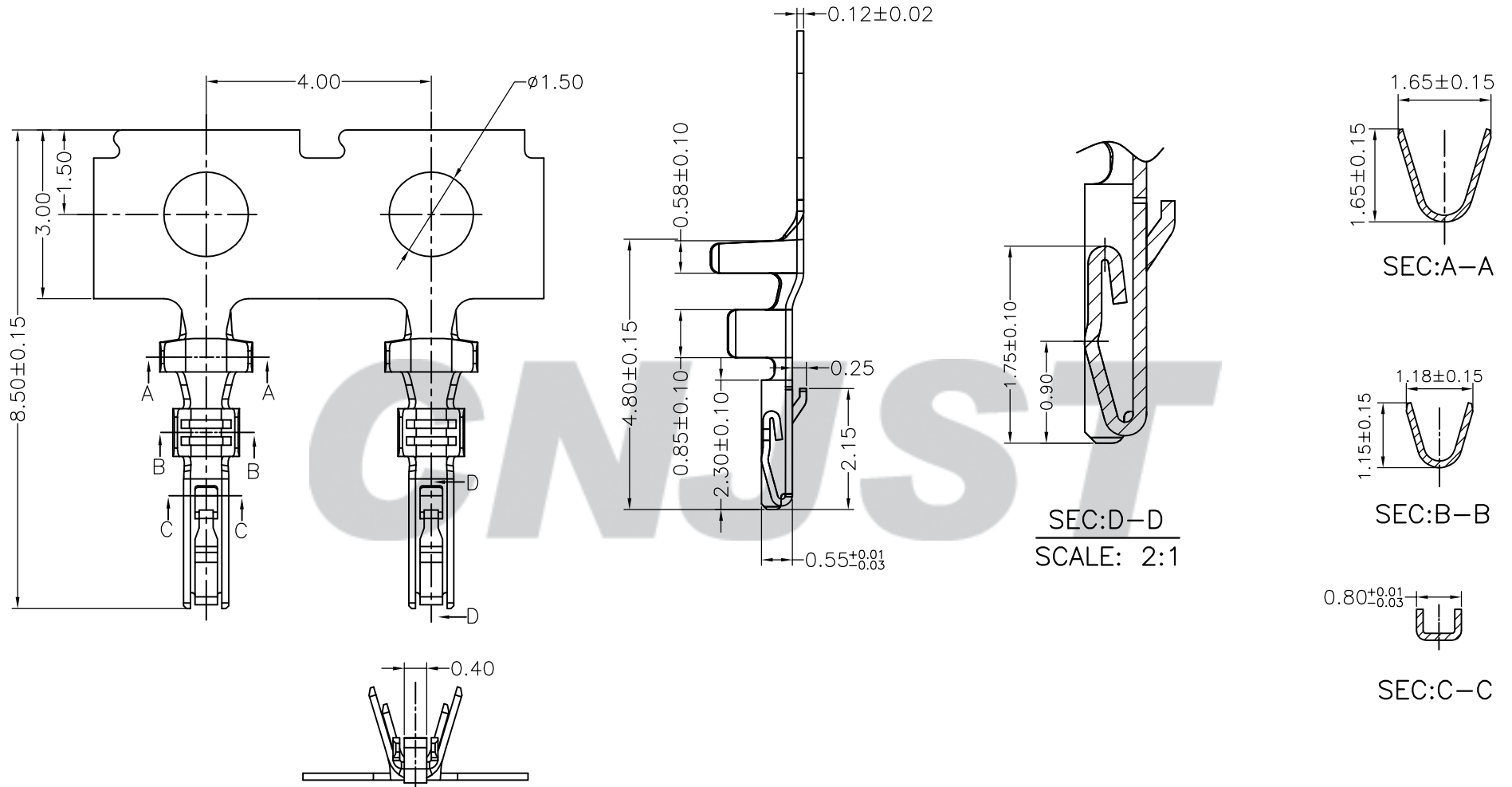


RoHS Compliant

端子图



REV.	DATE	DESCRIPTION	APPD.	AWG #26~#30	1.00mm(max)	12,000PCS	Phosphor Bronze	Tin-plated
				Wire Range	Insulation O.D.	QTY/Reel	Material	Plating

Tolerance X.X ±0.30 X.XX ±0.20 X.XXX ±0.10 Angle ±3.0°	Model Name: 1.25mm PITCH CRIMP TERMINAL			SCALE: FULL	REVISION: B/1	Drawn: 张育斌 2016.06.13
	Model No: A12510T-PA-Z					Checked: 林旭芝
UNIT: mm	CNJST 浙江捷仕泰电子有限公司 ZHEJIANG JIESHITAI ELECTRONIC CO., LTD				Approved: 刘祚杰	DWG NO. CNJST/GCDZ-0066