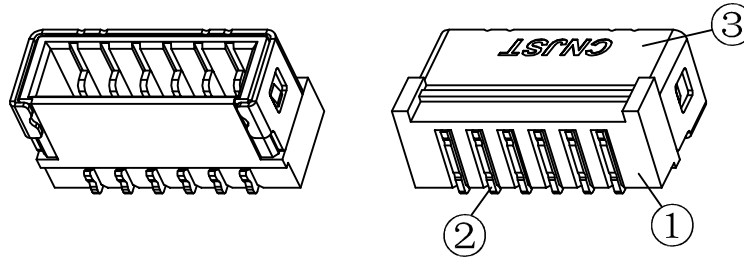
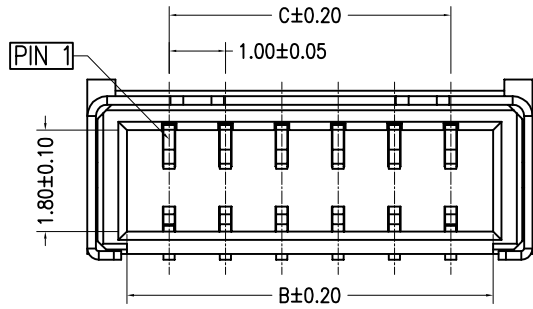


RoHS Compliant

成品图



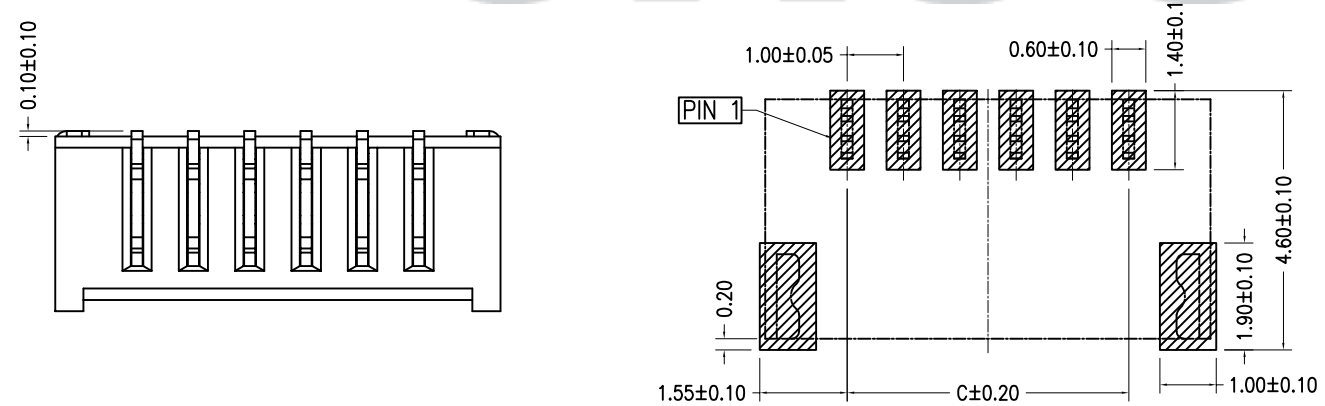
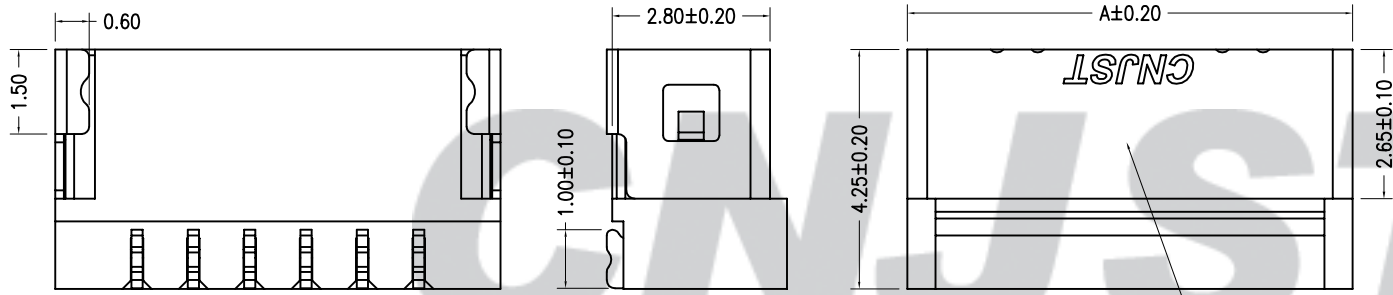
SPECIFICATION

- 1 Contact resistance: $\leq 20m\Omega$
- 2 Insulation resistance: $\geq 100M\Omega$
- 3 Rated voltage: 150 V AC DC
- 4 Rated current: 1.0 A AC DC
- 5 Withstand Voltage: 500V AC/minute
- 6 Temperature Range: $-25^{\circ}C \sim +85^{\circ}C$

ORDER INFORMATION:

A1012AWRR --F2MB-R-H**

PART No.	PACKAGING: R=REEL
No. OF CIRCUITS: 02~12	PLATING: A=Tin-plated B=Matte Sn
PLASTIC MATERIAL: F2M=LCP (NATURE)	



Circuits	Dimensions (mm)		
	A	B	C
02	3.90	2.50	1.00
03	4.90	3.50	2.00
04	5.90	4.50	3.00
05	6.90	5.50	4.00
06	7.90	6.50	5.00
07	8.90	7.50	6.00
08	9.90	8.50	7.00
09	10.90	9.50	8.00
10	11.90	10.50	9.00
11	12.90	11.50	10.00
12	13.90	12.50	11.00

专利产品

SUGGESTED PCB LAYOUT
(COMPONENT SIDE)

Tolerance X.X ±0.30 X.XX ±0.20 X.XXX ±0.10 Angle ±3.0°	Model Name: 1.00mm pitch 90° WAFER-SMT TYPE	SCALE: FULL REVISION: B/0	Drawn: 张育斌 2016.04.13
	Model No: A1012AWRR-**-F2MB-R-H		Checked: 林旭芝
UNIT: mm	CNJST 浙江捷仕泰电子有限公司 ZHEJIANG JIESHITAI ELECTRONICS CO., LTD.		Approved: 刘祚杰
			DWG NO. CNJST/GCCP-0391

REV.	DATE	DESCRIPTION	APPD.	NO.	DESCRIPTION	QTY	MATERIAL	PLATING/COLOR
B/0	2016.04.12	NEW RELEASE		③	Solder Tab	2	Phosphor Bronze	Mattn Sn
				②	Contacts	02~12	Phosphor Bronze	Mattn Sn
				①	Insulator	1	LCP (UL94V-0)	Nature