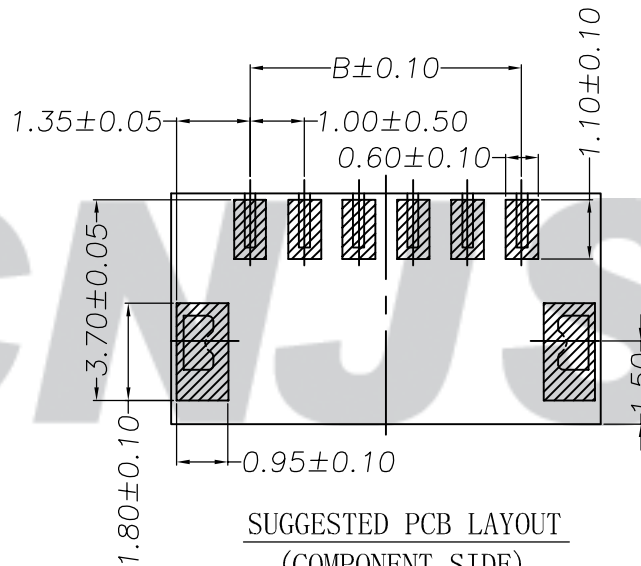
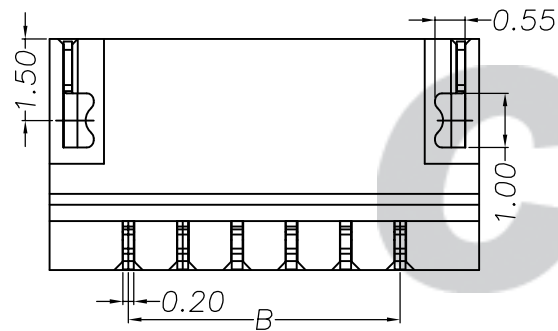
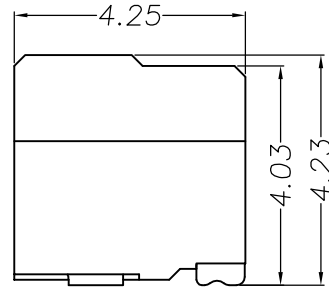
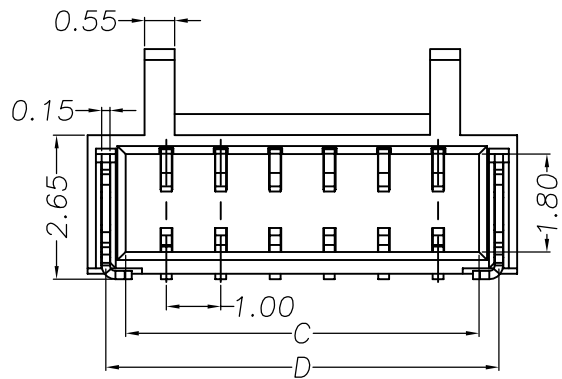
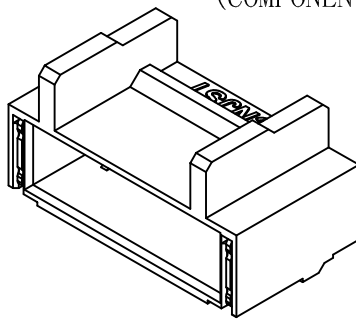
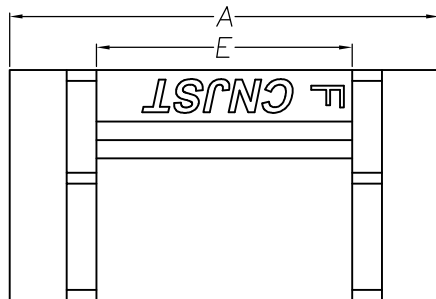


RoHS Compliant

成品图



SUGGESTED PCB LAYOUT
(COMPONENT SIDE)



SPECIFICATION

- Contact resistance: $\leq 20m\Omega$
- Insulation resistance: $\geq 100M\Omega$
- Rated voltage: 120 V AC DC
- Rated current: 1.0 A AC DC
- Withstand Voltage: 500V AC/minute
- Temperature Range: $-40^{\circ}C \sim +105^{\circ}C$

ORDER INFORMATION:

A1013AWRR --F2MA-R-H**

PART No. _____

No. OF CIRCUITS: _____

PLASTIC MATERIAL: _____

F2M=LCP (NATURE)

PACKAGING:
R=REEL

PLATING:
A=Tin-plated
B=Matte Sn

Circuits	Dimensions(mm)				
	A	B	C	D	E
06	7.90	5.00	6.50	7.30	4.70
07	8.90	6.00	7.50	8.30	5.70
08	9.90	7.00	8.50	9.30	6.70
09	10.90	8.00	9.50	10.30	7.70
10	11.90	9.00	10.50	11.30	8.70
11	12.90	10.00	11.50	12.30	9.70
12	13.90	11.00	12.50	13.30	10.70

Tolerance X.X ±0.30 X.XX ±0.20 X.XXX ±0.10 Angle ±3.0°	Model Name: 1.00mm pitch 90° WAFER-SMT TYPE	Drawn: 张育斌 2016.04.13
	Model No: A1013AWRR-**-F2MA-R-H	
UNIT: mm	SCALE: FULL REVISION: B/0	Approved: 刘祚杰
CNJST 浙江捷仕泰电子有限公司 ZHEJIANG JIESHITAI ELECTRONIC CO., LTD		DWG NO. CNJST/GCCP-0395

REV.	DATE	DESCRIPTION	APPD.	NO.	DESCRIPTION	QTY	MATERIAL	PLATING/COLOR
				③	Solder Tab	2	Brass	Tin-plated
				②	Contacts	06~12	Phosphor Bronze	Tin-plated
				①	Insulator	1	LCP	Nature
B/0	2016.04.12	NEW RELEASE						