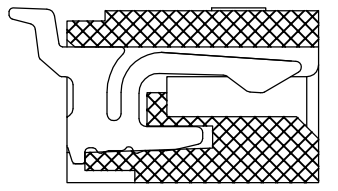
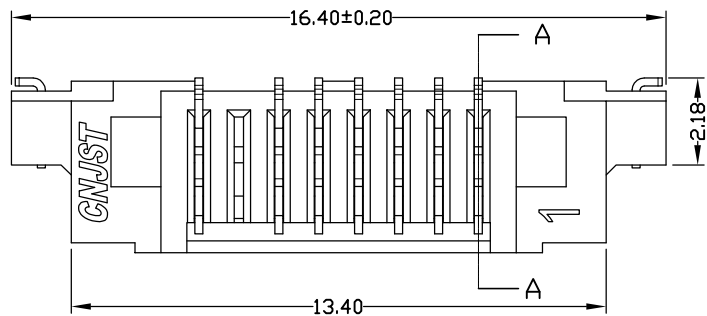


RoHS Compliant

成品图



SECTION A-A

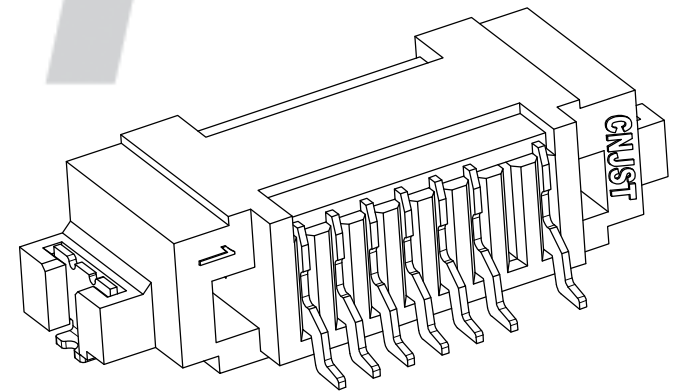
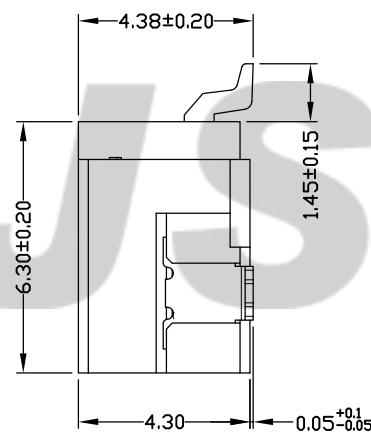
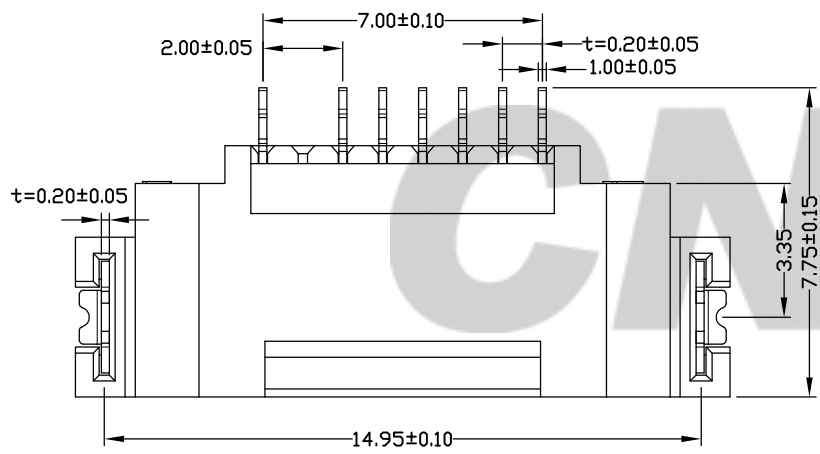
SPECIFICATION

- 1 Contact resistance: $\leq 30m\Omega$
- 2 Insulation resistance: $\geq 500M\Omega$
- 3 Rated voltage: 150 V AC DC
- 4 Rated current: 1 A AC DC
- 5 Withstand Voltage: 500V AC/minute
- 6 Temperature Range: $-40^{\circ}C \sim +105^{\circ}C$

ORDER INFORMATION:

A1014AWR-8P7-F2MA-R-DH2

PART No.		PACKAGING:	DH2=缺第2枚
No. OF CIRCUITS:	07	PACKAGING:	R=REEL
PLASTIC MATERIAL:	F2M=LCP (Nature)	PLATING:	A=Tin



专利产品

B/0	2016.04.12	NEW RELEASE	
REV.	DATE	DESCRIPTION	APPD.

③	Solder Tab	2	Brass	Tin-plated
②	Contacts	7	Phosphor Bronze	Tin-plated
①	Insulator	1	LCP (UL94V-0)	Beige
NO.	DESCRIPTION	QTY	MATERIAL	PLATING/COLOR

Tolerance	
X.X	±0.30
X.XX	±0.20
X.XXX	±0.10
Angle	±3.0°

Model Name: 1.00mm pitch 90° WAFER-SMT TYPE	
Model No: A1014AWR-8P7-F2MA-R-DH2	
SCALE: FULL	REVISION: B/0

Drawn: 张育斌 2016.05.03
 Checked: 林旭芝
 Approved: 刘祚杰
 DWG NO. CNJST/GCCP-0401

UNIT: mm
CNJST 浙江捷仕泰电子有限公司
 ZHEJIANG JIESHITAI ELECTRONIC CO., LTD