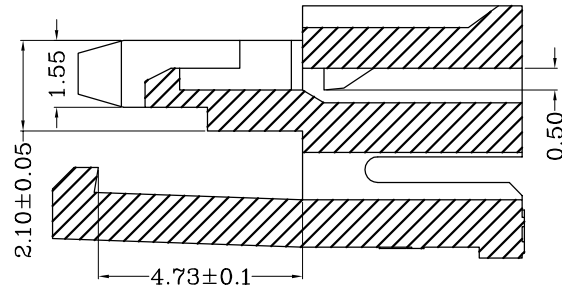
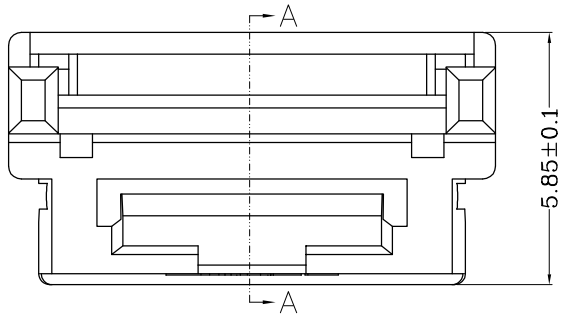
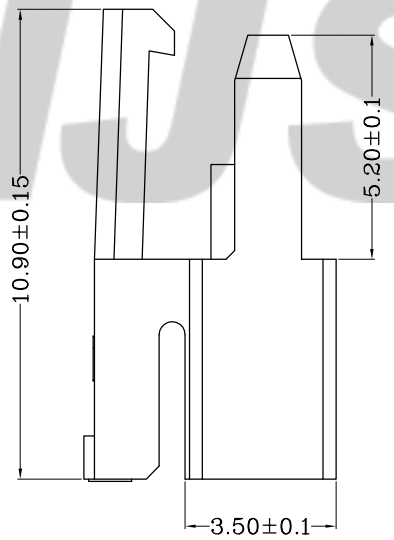
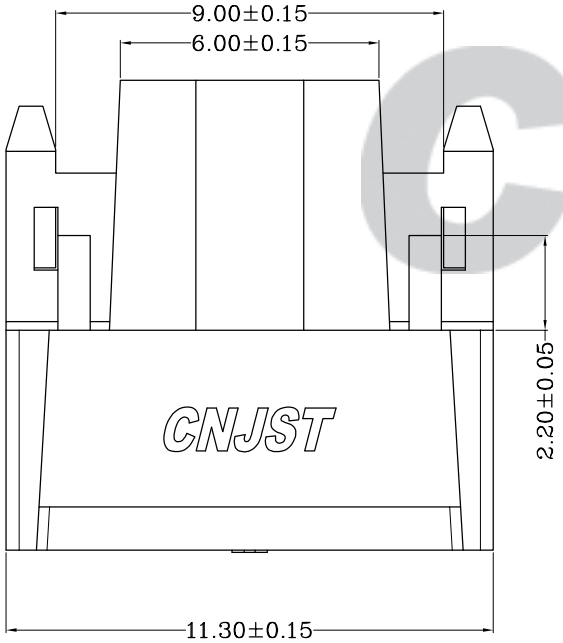


RoHS Compliant

成品图



SECTION A-A

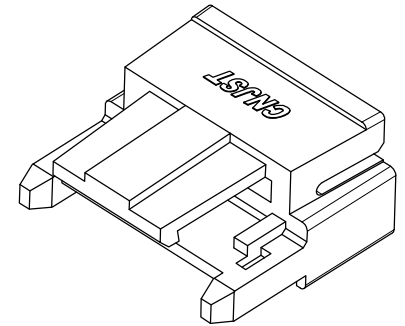


SPECIFICATION

- 1 Contact resistance: $\leq 30m\Omega$
- 2 Insulation resistance: $\geq 500M\Omega$
- 3 Rated voltage: 150 V AC DC
- 4 Rated current: 1.0 A AC DC
- 5 Withstand Voltage: 800V AC/minute
- 6 Temperature Range: $-25^{\circ}C \sim +85^{\circ}C$

ORDER INFORMATION:

A1015Y-**-A6W-P			
PART No.			
No. OF CIRCUITS:			PACKAGING:
08			P=Pe
PLASTIC MATERIAL:			
A6W=PA66 (White)			



Tolerance X.X ±0.30 X.XX ±0.20 X.XXX ±0.10 Angle ±3.0°	Model Name: 1.00mm pitch HOUSING	Drawn: 张育斌 2016.05.17 Checked: 林旭芝 Approved: 刘祚杰
	Model No: A1015Y-**-A6W-P	
	SCALE: FULL	REVISION: B/0
UNIT: mm	CNJST 浙江捷仕泰电子有限公司 ZHEJIANG JIESHITAI ELECTRONIC CO., LTD	
DWG NO. CNJST/GCCP-0444		

REV.	DATE	DESCRIPTION	APPD.	NO.	DESCRIPTION	QTY	MATERIAL	PLATING/COLOR
	B/0	2016.04.12	NEW RELEASE	①	Insulator	1	PA66 (UL94V-0)	White