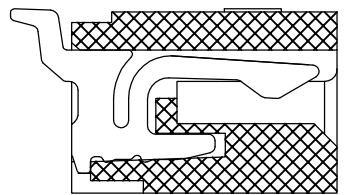
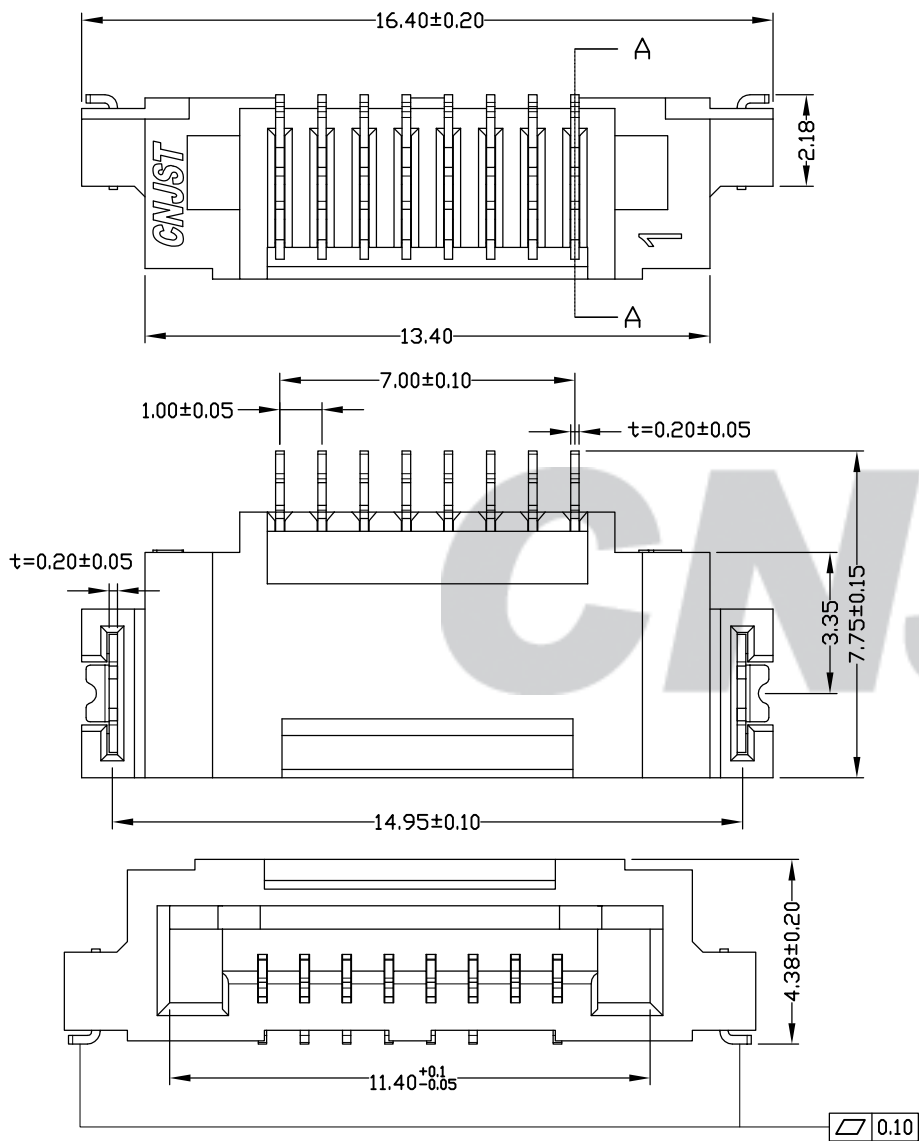


RoHS Compliant

成品图



SECTION A-A

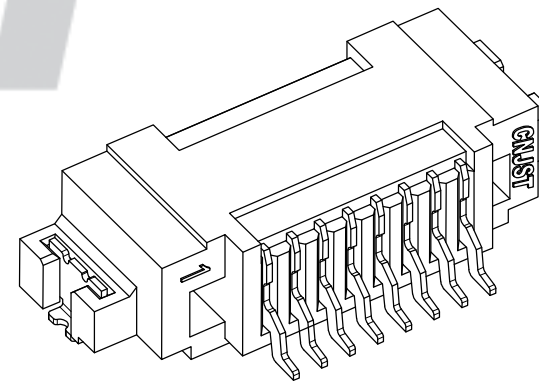
SPECIFICATION

- 1 Contact resistance: $\leq 30m\Omega$
- 2 Insulation resistance: $\geq 500M\Omega$
- 3 Rated voltage: 150 V AC DC
- 4 Rated current: 1 A AC DC
- 5 Withstand Voltage: 500V AC/minute
- 6 Temperature Range: $-40^{\circ}C \sim +105^{\circ}C$

ORDER INFORMATION:

A1015AWR-08-F2KA-R

PART No.		PACKAGING:
No. OF CIRCUITS:		R=REEL
08		PLATING:
PLASTIC MATERIAL:		A=Tin
F2K=LCP (Black)		



专利产品

B/0	2016.04.12	NEW RELEASE	
REV.	DATE	DESCRIPTION	APPD.
1			

③	Solder Tab	2	Brass	Tin-plated
②	Contacts	8	Phosphor Bronze	Tin-plated
①	Insulator	1	LCP (UL94V-0)	Black
NO.	DESCRIPTION	QTY	MATERIAL	PLATING/COLOR

Tolerance	
X.X	± 0.30
X.XX	± 0.20
X.XXX	± 0.10
Angle	$\pm 3.0^{\circ}$

Model Name: 1.00mm pitch 90° WAFER-SMT TYPE	
Model No: A1015AWR-08-F2KA-R	
	SCALE: FULL
	REVISION: B/0

Drawn: 张育斌 2016.05.03
Checked: 林旭芝
Approved: 刘祚杰
DWG NO. CNJST/GCCP-0402

UNIT: mm
CNJST 浙江捷仕泰电子有限公司
 ZHEJIANG JIESHITAI ELECTRONIC CO., LTD