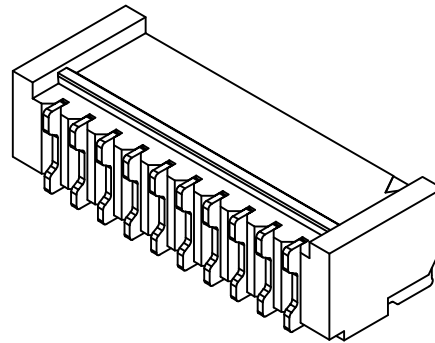
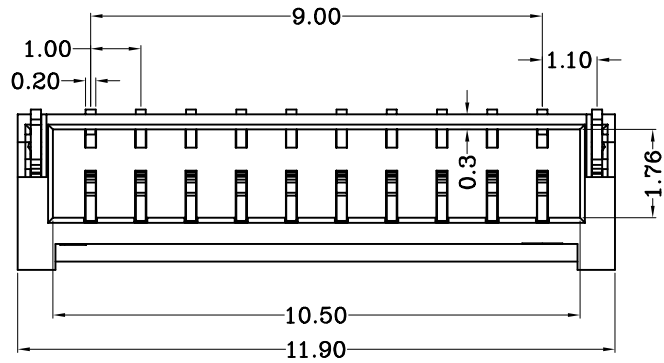


RoHS Compliant

成品图



SPECIFICATION

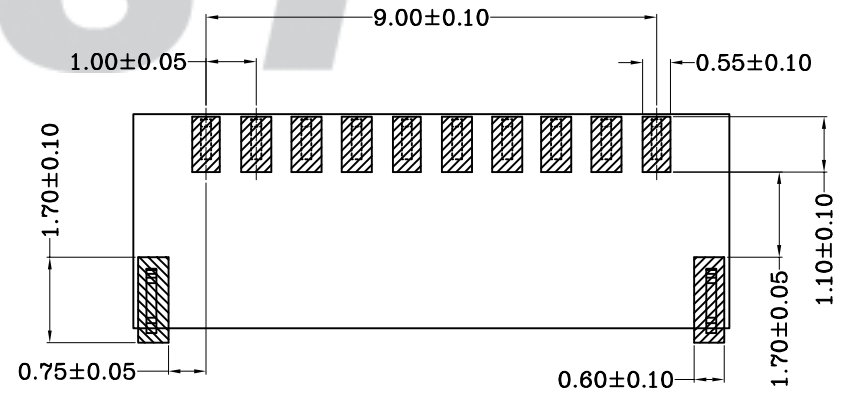
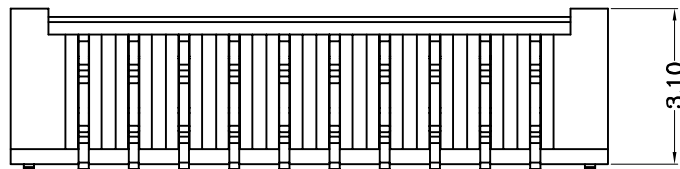
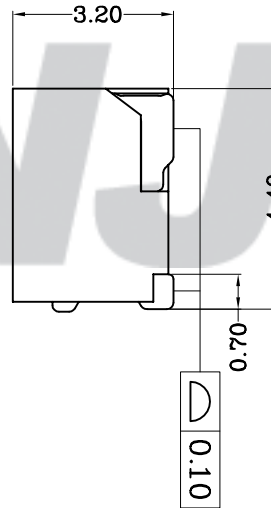
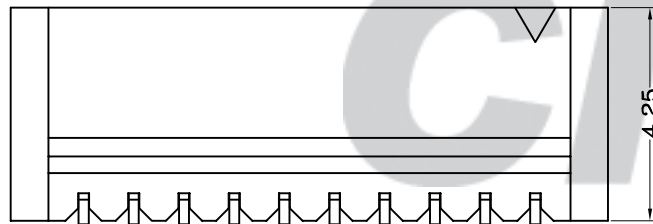
- 1 Contact resistance: $\leq 30m\Omega$
- 2 Insulation resistance: $\geq 500M\Omega$
- 3 Rated voltage: 150 V AC DC
- 4 Rated current: 1.0A AC DC
- 5 Withstand Voltage: 500V AC/minute
- 6 Temperature Range: $-25^{\circ}C \sim +85^{\circ}C$

ORDER INFORMATION:

A1016AWRR-10-C1MB-R-H

PART No. _____
 No. OF CIRCUITS: _____
 10
 PLASTIC MATERIAL: _____
 C1M=FR52

PACKAGING:
 R=REEL
 PLATING:
 B=Mattn Sn



PCB LAYOUT

B/02016.04.12		NEW RELEASE	
REV.	DATE	DESCRIPTION	APPD.
1			

③	Solder Tabs	2	Phosphor Bronze	Mattn Sn
②	Material	10	Phosphor Bronze	Mattn Sn
①	Insulator	1	FR52 (UL94V-0)	Nature (Beige)
NO.	DESCRIPTION	QTY	MATERIAL	PLATING/COLOR

Tolerance	
X.X	±0.30
X.XX	±0.20
X.XXX	±0.10
Angle	±3.0°

Model Name: 1.00mm pitch 90° FFC/FPC TYPE	
Model No: A1016AWRR-10-C1MB-R-H	
	SCALE: FULL
	REVISION: B/0

Drawn: 张育斌 2016.05.17
Checked: 林旭芝
Approved: 刘祚杰

UNIT: mm	CNJST 浙江捷仕泰电子有限公司 ZHEJIANG JIESHITAI ELECTRONIC CO., LTD	DWG NO. CNJST/GCCP-0421
----------	--	-------------------------