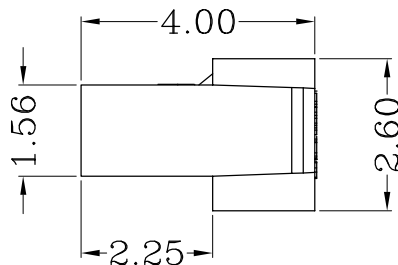
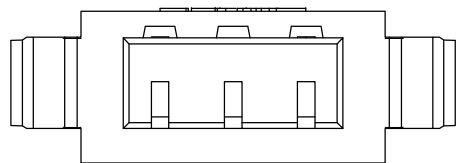


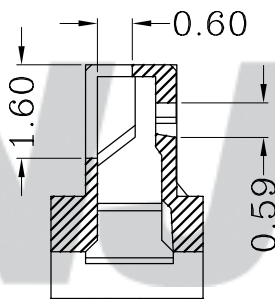
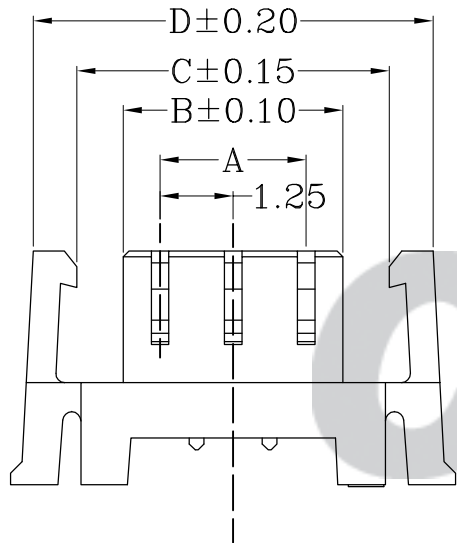
RoHS Compliant

成品图



SPECIFICATION

- 1 Contact resistance: $\leq 10m\Omega$
- 2 Insulation resistance: $\geq 1000M\Omega$
- 3 Rated voltage: 150 V AC DC
- 4 Rated current: 1.0 A AC DC
- 5 Withstand Voltage: 800V AC/minute
- 6 Temperature Range: $-25^{\circ}C \sim +85^{\circ}C$



ORDER INFORMATION:

A12511Y-**-A6W-P

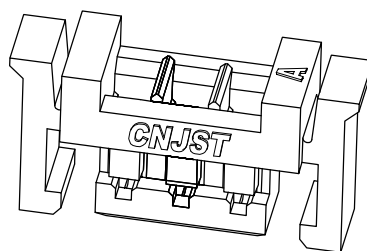
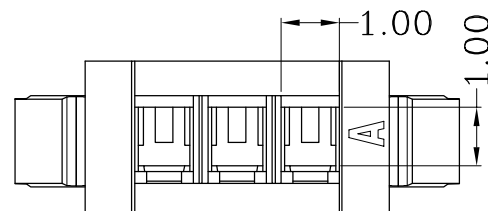
PART No. _____
 No.OF CIRCUITS: _____
 02~15 _____
 PACKAGING: _____
 P=Pe _____

PLASTIC MATERIAL: _____
 A6W=PA66(White)

Circuits	Dimensions (mm)			
	A	B	C	D
03	2.50	3.75	5.35	6.85
04	3.75	5.00	6.60	8.10
05	5.00	6.25	7.85	9.35
06	6.25	7.50	9.10	10.60
07	7.50	9.00	10.35	11.85
08	8.75	10.25	11.60	13.10
09	10.00	11.50	12.85	14.35

Unit: mm

SECTION A-A



Tolerance X.X ±0.30 X.XX ±0.20 X.XXX ±0.10 Angle ±3.0°	Model Name: 1.25mm PITCH HOUSING		Drawn: 蔡忠忠 2016. 05. 04
	Model No: A12511Y-**-A6W-P		
UNIT: mm	SCALE: FULL	REVISION: B/0	Checked: 林旭芝
	CNJST 浙江捷仕泰电子有限公司 ZHEJIANG JIESHITAI ELECTRONIC CO., LTD		Approved: 刘祥杰
			DWG NO. CNJST/GCCP-0409

REV.	DATE	DESCRIPTION	APPD.	NO.	DESCRIPTION	QTY	MATERIAL	PLATING/COLOR
B/0	2016.05.04	NEW RELEASE		①	Insulator	1	PA66 (UL94V-0)	White