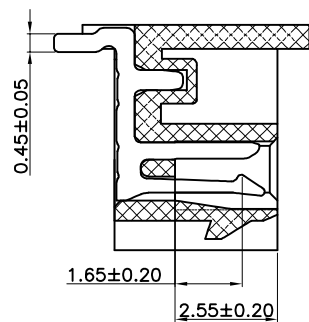
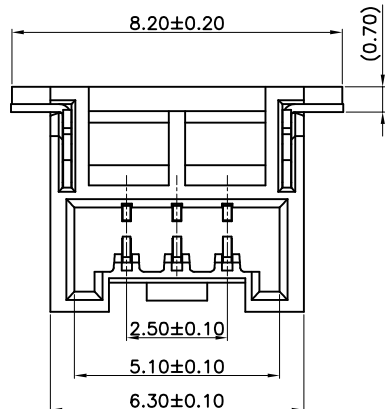
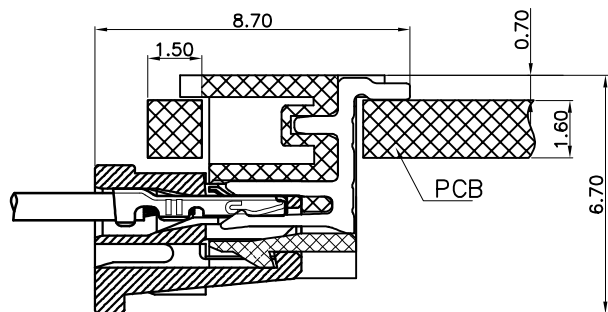
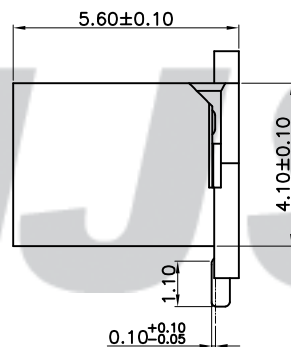
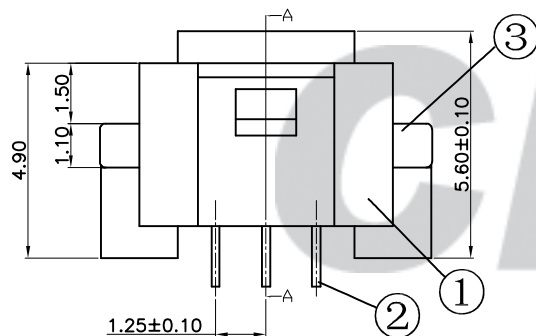


RoHS Compliant

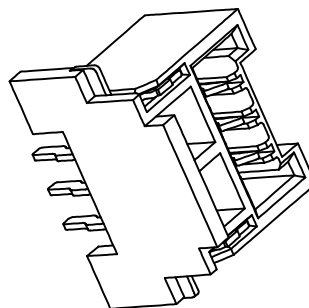
成品图



A-A



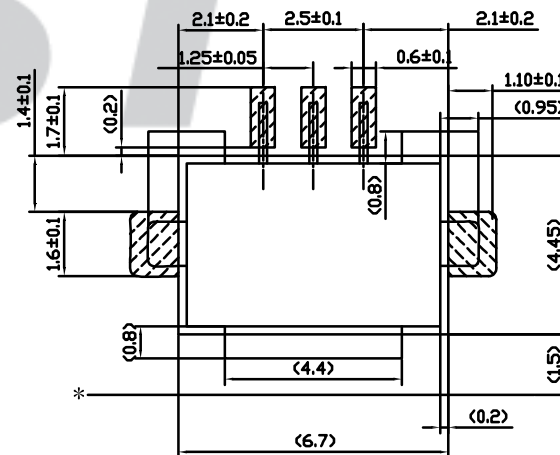
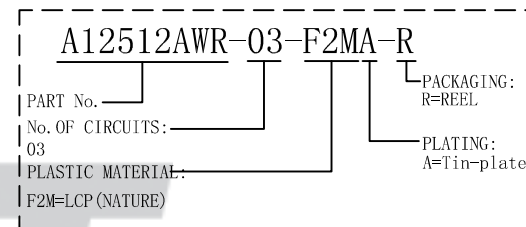
组合状态图



SPECIFICATION

- 1 Contact resistance:  $\leq 10m\Omega$
- 2 Insulation resistance:  $\geq 1000M\Omega$
- 3 Rated voltage: 150 V AC DC
- 4 Rated current: 1.0 A AC DC
- 5 Withstand Voltage: 800V AC/minute
- 6 Temperature Range:  $-40^{\circ}C \sim +85^{\circ}C$

ORDER INFORMATION:



SUGGESTED PCB LAYOUT  
(COMPONENT SIDE)

专利产品

Tolerance	Model Name: 1.25mm pitch 90° WAFER-SMT TYPE	Drawn: 张育斌 2016.04.13
X.X ±0.30	Model No: A12512AWR-03-F2MA-R	Checked: 林旭芝
X.XX ±0.20		Approved: 刘祚杰
X.XXX ±0.10		
Angle ±3.0°	<b>CNJST</b> 浙江捷仕泰电子有限公司 ZHEJIANG JIESHITAI ELECTRONIC CO., LTD	DWG NO. CNJST/GCCP-0375
UNIT: mm		

REV.	DATE	DESCRIPTION	APPD.	NO.	DESCRIPTION	QTY	MATERIAL	PLATING/COLOR
B/0	2016.04.12	NEW RELEASE		③	Solder Tab	2	Phosphor Brass	Tin-plated
				②	Contacts	3	Phosphor Brass	Tin-plated
				①	Insulator	1	LCP (UL94V-0)	Nature