

RoHS Compliant

成品图

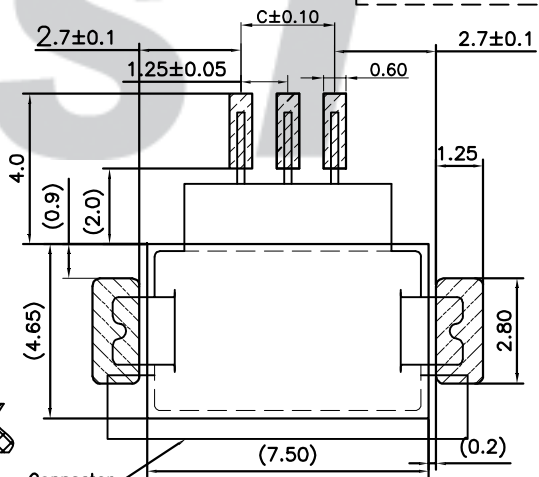
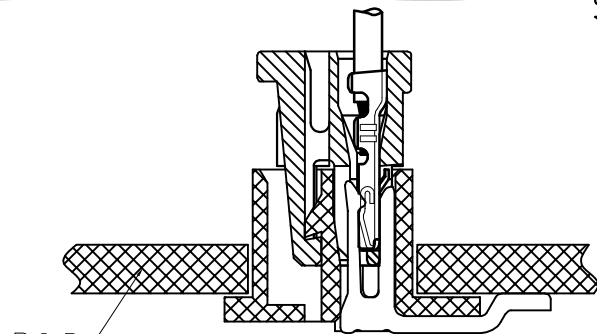
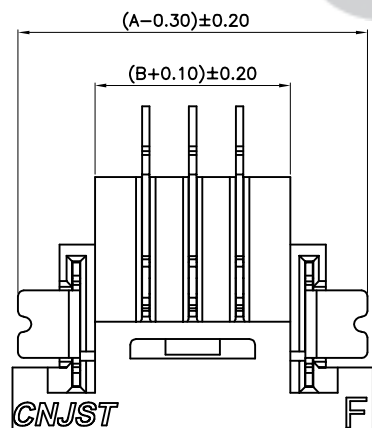
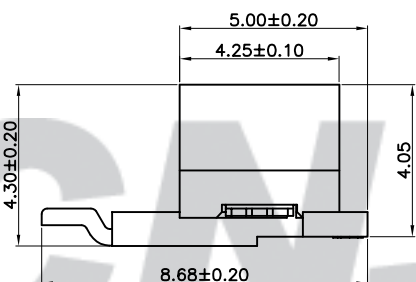
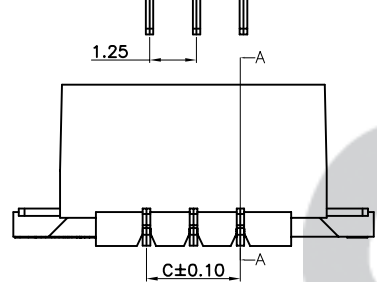
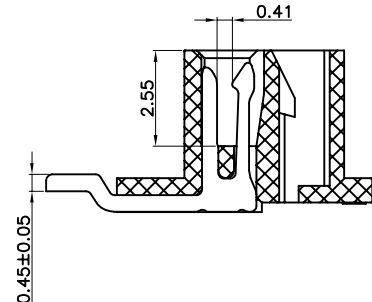
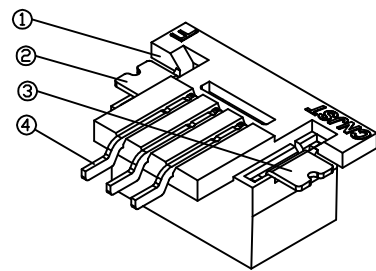
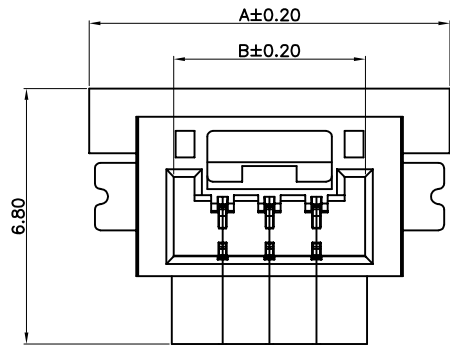
SPECIFICATION

- 1 Contact resistance:  $\leq 10m\Omega$
- 2 Insulation resistance:  $\geq 1000M\Omega$
- 3 Rated voltage: 150 V AC DC
- 4 Rated current: 1.0 A AC DC
- 5 Withstand Voltage: 800V AC/minute
- 6 Temperature Range:  $-40^{\circ}C \sim +85^{\circ}C$

ORDER INFORMATION:

**A12512AWV-\*\*-F2MA-R**

PART No.	PACKAGING: R=REEL
No. OF CIRCUITS: 02~10	PLATING: A=Tin-plated
PLASTIC MATERIAL: F2M=LCP(NATURE)	



SUGGESTED PCB LAYOUT  
(COMPONENT SIDE)

Circuits	Dimensions (mm)		
	A	B	C
02	8.35	3.85	1.25
03	9.60	5.10	2.50
04	10.85	6.35	3.75
05	12.10	7.60	5.00
06	13.35	8.85	6.25
07	14.60	10.10	7.50
08	15.85	11.35	8.75
09	17.10	12.60	10.00
10	18.35	13.85	11.25
11	19.60	15.10	12.50
12	20.85	16.35	13.75
13	22.10	17.60	15.00
14	23.35	18.85	16.25
15	24.60	20.10	17.50
16	25.85	21.35	18.75
17	27.10	22.60	20.00
18	28.35	23.85	21.25

专利产品

B/0	2016.04.12	NEW RELEASE	
REV.	DATE	DESCRIPTION	APPD.

③	Solder Tab	2	Brass	Tin-plated
②	Contacts	2~10	Phosphor Brass	Tin-plated
①	Insulator	1	LCP/PA9T (UL94V-0)	Nature
NO.	DESCRIPTION	QTY	MATERIAL	PLATING/COLOR

Tolerance  
 X.X ±0.30  
 X.XX ±0.20  
 X.XXX ±0.10  
 Angle ±3.0°

Model Name: 1.25mm pitch 180° WAFER-SMT TYPE  
 Model No: A12512AWV-\*\*-F2MA-R

SCALE: FULL REVISION: B/0

UNIT: mm

**CNJST** 浙江捷仕泰电子有限公司  
 ZHEJIANG JIESHITAI ELECTRONIC CO., LTD

Drawn: 张育斌 2016.04.13  
 Checked: 林旭芝  
 Approved: 刘祚杰  
 DWG NO. CNJST/GCCP-0373