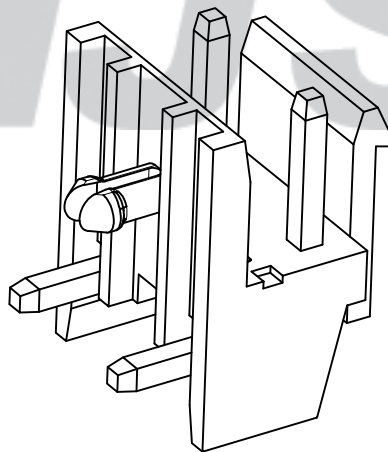
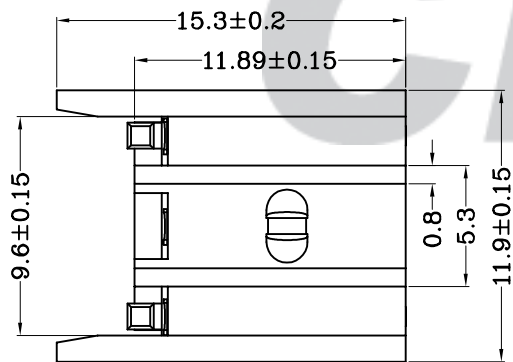
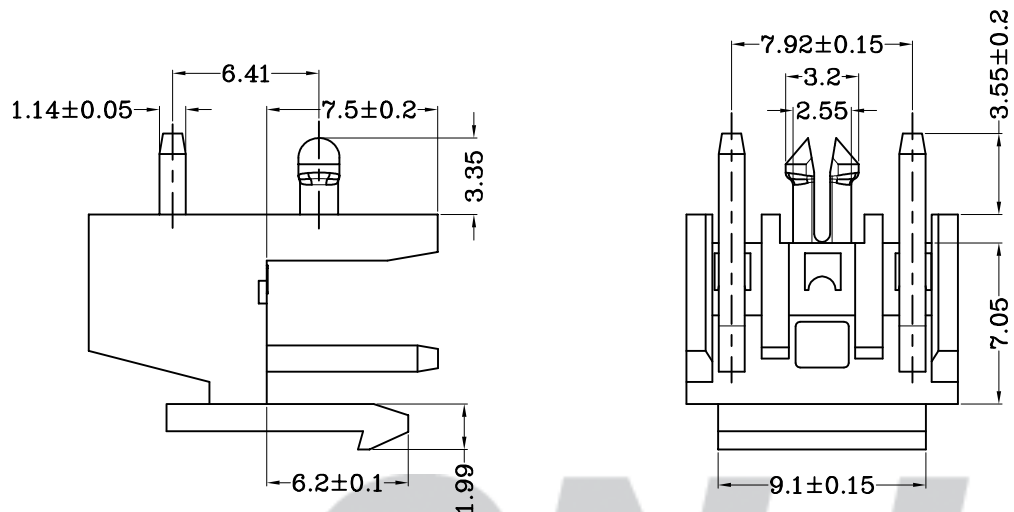


RoHS Compliant

成品图



SPECIFICATION

- Contact resistance: $\leq 20m\Omega$
- Insulation resistance: $\geq 1000M\Omega$
- Rated voltage: 250 V AC DC
- Rated current: 7A AC DC
- Withstand Voltage: 1500V AC/minute
- Temperature Range: $-25^{\circ}C \sim +85^{\circ}C$

ORDER INFORMATION:

A3965AWB-3P2-A2KA-P

PART No. _____

No. OF CIRCUITS: _____

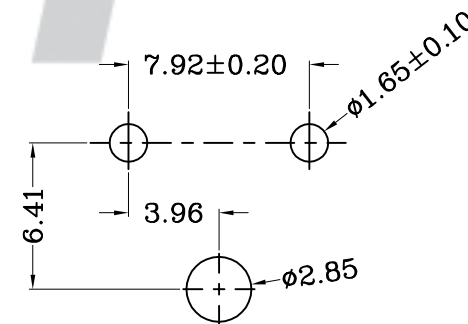
3P2

PLASTIC MATERIAL: _____

A2K=PA66 (BLACK)

PACKAGING: P=PE

PLATING: A=Tin



SUGGESTED PCB LAYOUT
(COMPONENT SIDE)

△	2016.04.20	塑件底部变更	林旭芝16.4.20
B/0	2016.04.12	NEW RELEASE	
REV.	DATE	DESCRIPTION	APPD.

②	Material	2	Brass	Tin-Plated
①	Insulator	1	PA66 (UL94V-0)	Nature (Black)
NO.	DESCRIPTION	QTY	MATERIAL	PLATING/COLOR

Tolerance X.X ±0.30 X.XX ±0.20 X.XXX ±0.10 Angle ±3.0°	Model Name: 3.96mm pitch DIP TYPE		Drawn: 张育斌 2016.04.25
	Model No: A3965AWB-3P2-A2KA-P		
UNIT: mm	SCALE: FULL	REVISION: B/0	Checked: 林旭芝
			Approved: 刘祚杰
CNJST 浙江捷仕泰电子有限公司 ZHEJIANG JIESHITAI ELECTRONIC CO., LTD			DWG NO. CNJST/GCCP-0480