

RoHS Compliant

成品图

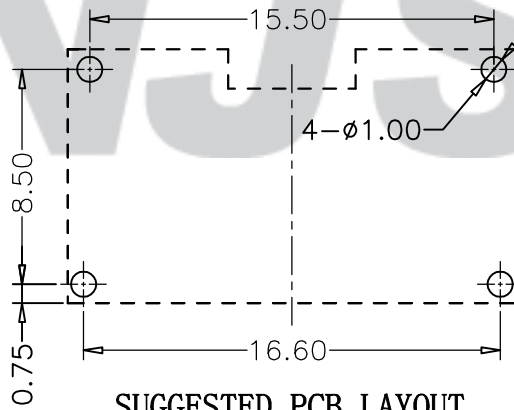
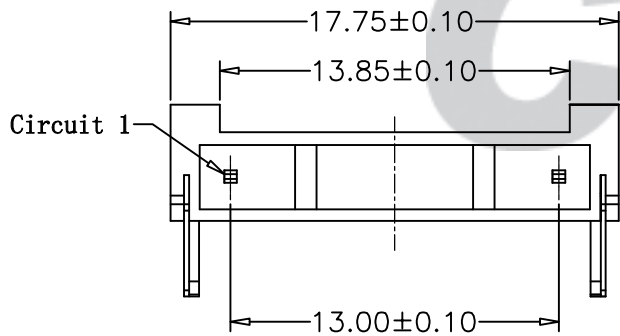
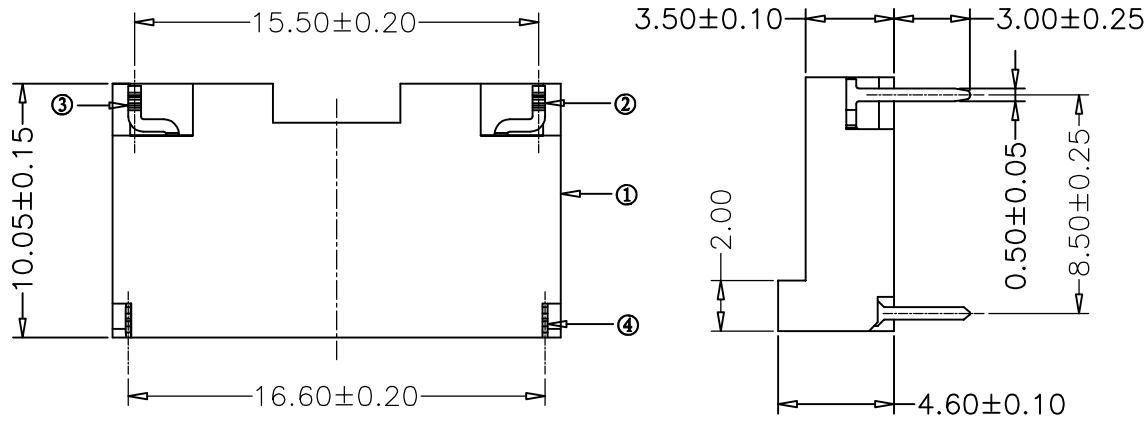
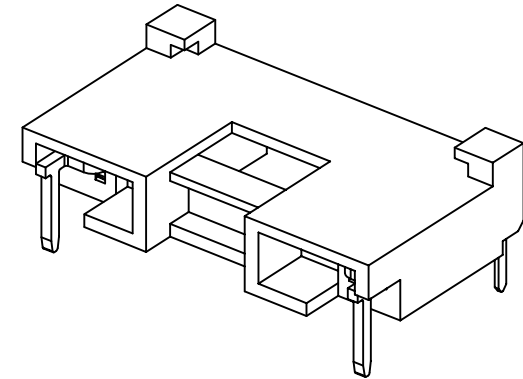
SPECIFICATION

- 1 Contact resistance:  $\leq 10m\Omega$
- 2 Insulation resistance:  $\geq 1000M\Omega$
- 3 Rated voltage: 3000 V AC DC
- 4 Rated current: 1.0 A AC DC
- 5 Withstand Voltage: 5000V AC/minute
- 6 Temperature Range:  $-25^{\circ}C \sim +85^{\circ}C$

ORDER INFORMATION:

**A1302AW-02-C1MA-G**

|                   |          |              |
|-------------------|----------|--------------|
| PART No.          |          | PACKAGING:   |
| No. OF CIRCUITS:  | 02       | G=TUBE       |
| PLASTIC MATERIAL: | C1M=PA6T | PLATING:     |
|                   |          | A=Tin-plated |



SUGGESTED PCB LAYOUT  
(COMPONENT SIDE)

|      |            |             |       |
|------|------------|-------------|-------|
| B/0  | 2016.05.18 | NEW RELEASE |       |
| REV. | DATE       | DESCRIPTION | APPD. |

| NO. | DESCRIPTION | QTY | MATERIAL        | PLATING/COLOR |
|-----|-------------|-----|-----------------|---------------|
| ④   | Solder Tabs | 2   | Phosphor Bronze | Tin-plated    |
| ③   | Contacts 2  | 1   | Phosphor Bronze | Tin-plated    |
| ②   | Contacts 1  | 1   | Phosphor Bronze | Tin-plated    |
| ①   | Insulator   | 1   | PA6T (UL94V-0)  | Nature        |

|             |                                     |
|-------------|-------------------------------------|
| Tolerance   | Model Name: 13.00mm PITCH 90° WAFER |
| X.X ±0.30   | Model No: A1302AW-02-C1MA-G         |
| X.XX ±0.20  |                                     |
| X.XXX ±0.10 |                                     |
| Angle ±3.0° |                                     |
| UNIT: mm    |                                     |

Model Name: 13.00mm PITCH 90° WAFER  
Model No: A1302AW-02-C1MA-G

SCALE: FULL REVISION: B/0

**CNJST** 浙江捷仕泰电子有限公司  
ZHEJIANG JIESHITAI ELECTRONIC CO., LTD

|                         |
|-------------------------|
| Drawn: 蔡忠忠 2016.05.18   |
| Checked: 林旭芝            |
| Approved: 刘祚杰           |
| DWG NO. CNJST/GCCP-0157 |