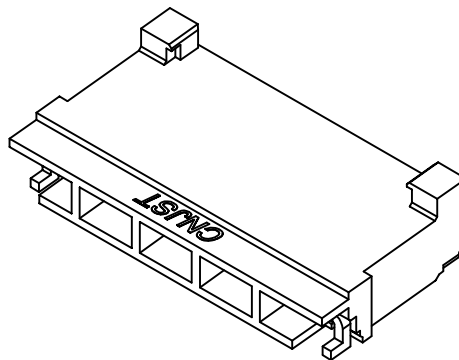
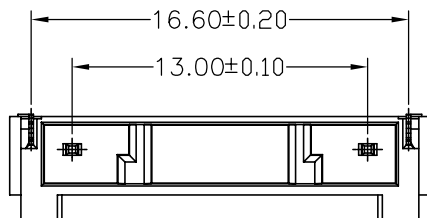


RoHS Compliant

成品图



SPECIFICATION

- 1 Contact resistance: $\leq 10m\Omega$
- 2 Insulation resistance: $\geq 1000M\Omega$
- 3 Rated voltage: 3000 V AC DC
- 4 Rated current: 1.0 A AC DC
- 5 Withstand Voltage: 5000V AC/minute
- 6 Temperature Range: $-25^{\circ}C \sim +85^{\circ}C$

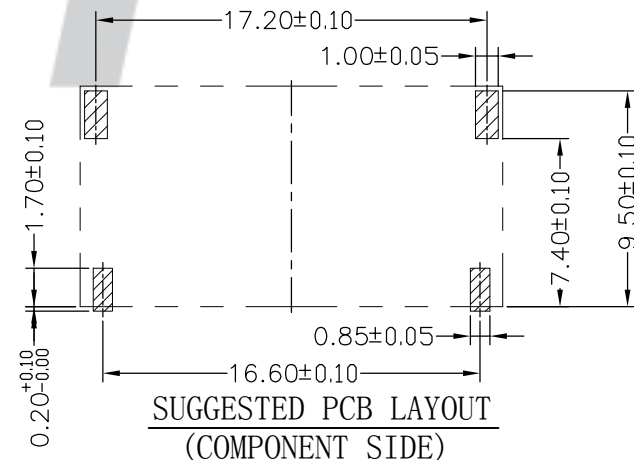
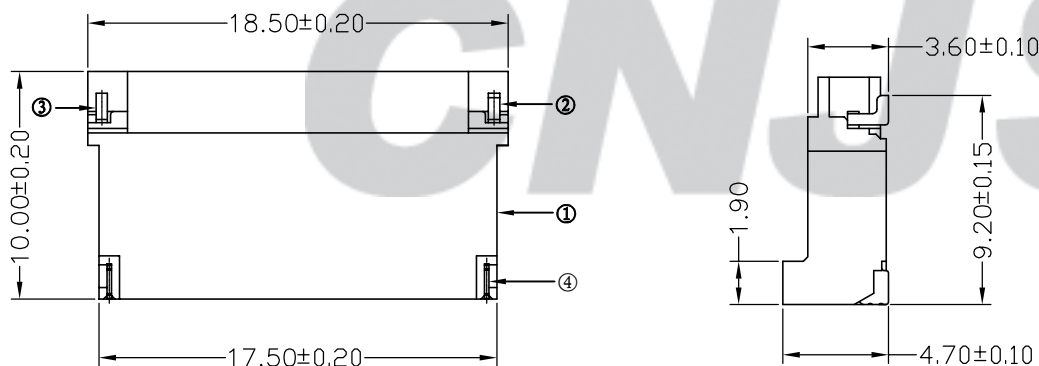
ORDER INFORMATION:

A1301AWR-02-C1MA-R

PART No. _____
 No. OF CIRCUITS: _____
 02
 PLASTIC MATERIAL: _____
 C1M=PA6T

PACKAGING:
 G=TUBE
 R=REEL

PLATING:
 A=Tin-plated



B/0	2016.05.18	NEW RELEASE	
REV.	DATE	DESCRIPTION	APPD.

NO.	DESCRIPTION	QTY	MATERIAL	PLATING/COLOR
④	Solder Tabs	2	Phosphor Bronze	Tin-plated
③	Contacts 2	1	Phosphor Bronze	Tin-plated
②	Contacts 1	1	Phosphor Bronze	Tin-plated
①	Insulator	1	PA6T (UL94V-0)	Nature

Tolerance
 X.X ± 0.30
 X.XX ± 0.20
 X.XXX ± 0.10
 Angle $\pm 3.0^{\circ}$

Model Name: 13.00mm PITCH 90° WAFER-SMT TYPE
 Model No: A1301AWR-02-C1MA-R

SCALE: FULL REVISION: B/0

CNJST 浙江捷仕泰电子有限公司
 ZHEJIANG JIESHITAI ELECTRONIC CO., LTD

UNIT: mm

Drawn: 蔡忠忠 2016.05.18

Checked: 林旭芝

Approved: 刘祚杰

DWG NO. CNJST/GCCP-0144