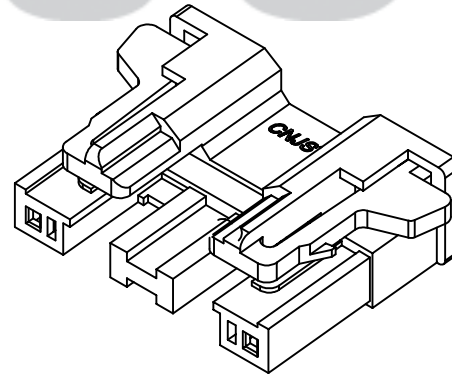
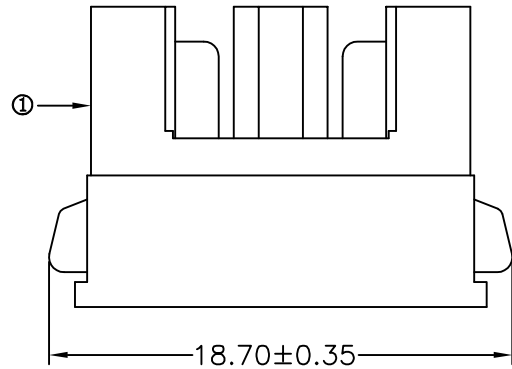
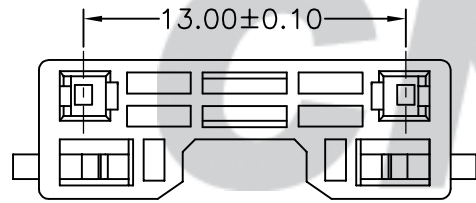
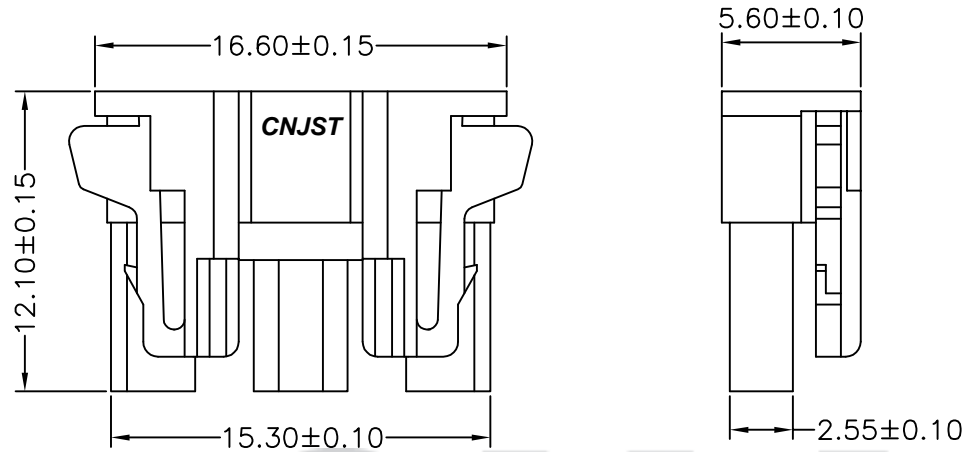


RoHS Compliant

成品图



SPECIFICATION

- 1 Contact resistance: $\leq 10\text{m}\Omega$
- 2 Insulation resistance: $\geq 1000\text{M}\Omega$
- 3 Rated voltage: 3000 V AC DC
- 4 Rated current: 1.0 A AC DC
- 5 Withstand Voltage: 5000V AC/minute
- 6 Temperature Range: $-25^{\circ}\text{C} \sim +85^{\circ}\text{C}$

ORDER INFORMATION:

A1301Y-02-A5W-P

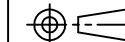
PART No.

No. OF CIRCUITS:
02

PACKAGING:
P=PE

PLASTIC MATERIAL:
A5W=PA66 (WHITE)

Tolerance	Model Name: 13.00mm PITCH HOUSING
X.X ±0.30	Model No: A1301Y-02-A5W-P
X.XX ±0.20	
X.XXX ±0.10	
Angle ±3.0°	



SCALE: FULL

REVISION: B/0

Drawn: 蔡忠忠 2016.05.24

Checked: 林旭芝

Approved: 刘祚杰

REV.	DATE	DESCRIPTION	APPD.	NO.	DESCRIPTION	QTY	MATERIAL	PLATING/COLOR
B/0	2016.05.24	NEW RELEASE		①	Insulator	1	PA66 (UL94V-0)	White

UNIT: mm

CNJST 浙江捷仕泰电子有限公司
ZHEJIANG JIESHITAI ELECTRONIC CO., LTD

DWG NO. CNJST/GCCP-0192