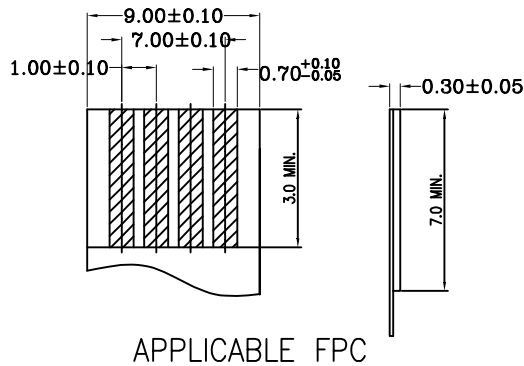
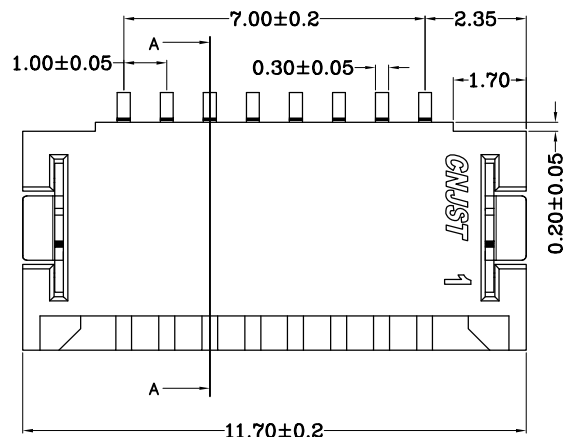


RoHS Compliant

成品图



SPECIFICATION

- 1 Contact resistance:  $\leq 30m\Omega$
- 2 Insulation resistance:  $\geq 500M\Omega$
- 3 Rated voltage: 50 V AC DC
- 4 Rated current: 0.3 A AC DC
- 5 Withstand Voltage: 500V AC/minute
- 6 Temperature Range:  $-25^{\circ}C \sim +85^{\circ}C$

ORDER INFORMATION:

**F1011AWR-08-C1MB-R**

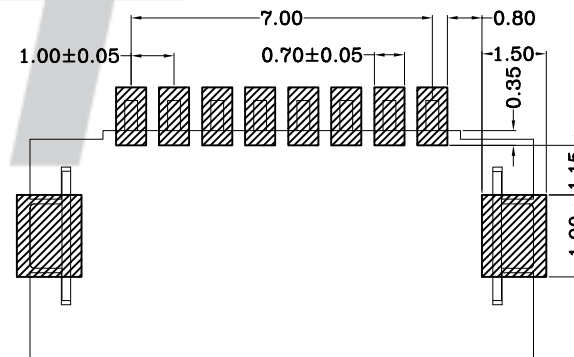
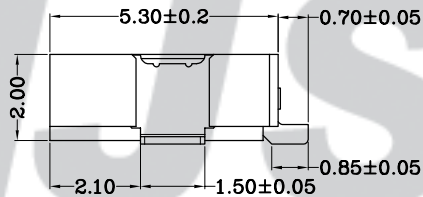
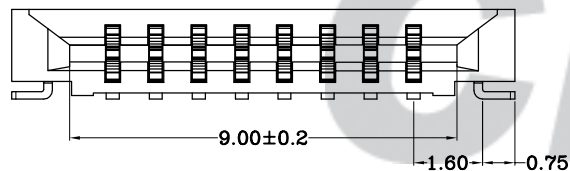
PART No. \_\_\_\_\_ PACKAGING: R=REEL

No. OF CIRCUITS: \_\_\_\_\_

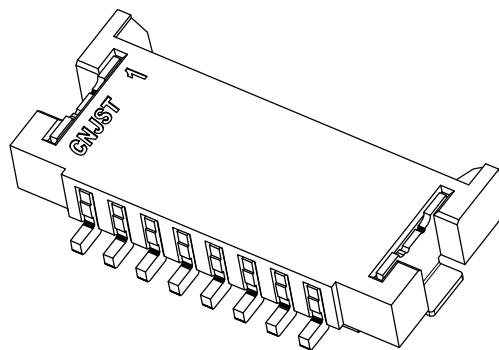
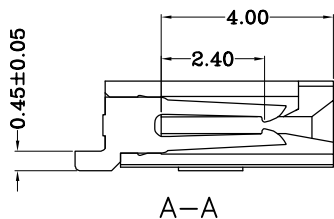
08

PLASTIC MATERIAL: \_\_\_\_\_ PLATING: A=Tin-plated B=Matte Sn

C1M=FR52 (Nature)



PCB LAYOUT



专利产品

REV.	DATE	DESCRIPTION	APPD.
B/0	2016.04.12	NEW RELEASE	

③	Solder Tabs	2	Brass	Tin-plated
②	Material	08	Phosphor Bronze	Matte Sn
①	Insulator	1	FR52 (UL94V-0)	Nature (Beige)
NO.	DESCRIPTION	QTY	MATERIAL	PLATING/COLOR

Tolerance	Model Name: 1.00mm pitch 90° WAFER-SMT TYPE
X.X ±0.30	Model No: F1011AWR-08-C1MB-R
X.XX ±0.20	
X.XXX ±0.10	
Angle ±3.0°	

	SCALE: FULL	REVISION: B/0
--	-------------	---------------

Drawn: 张育斌 2016.05.03
Checked: 林旭芝
Approved: 刘祚杰
DWG NO. CNJST/GCCP-0406

UNIT: mm

**CNJST** 浙江捷仕泰电子有限公司  
ZHEJIANG JIESHITAI ELECTRONIC CO., LTD