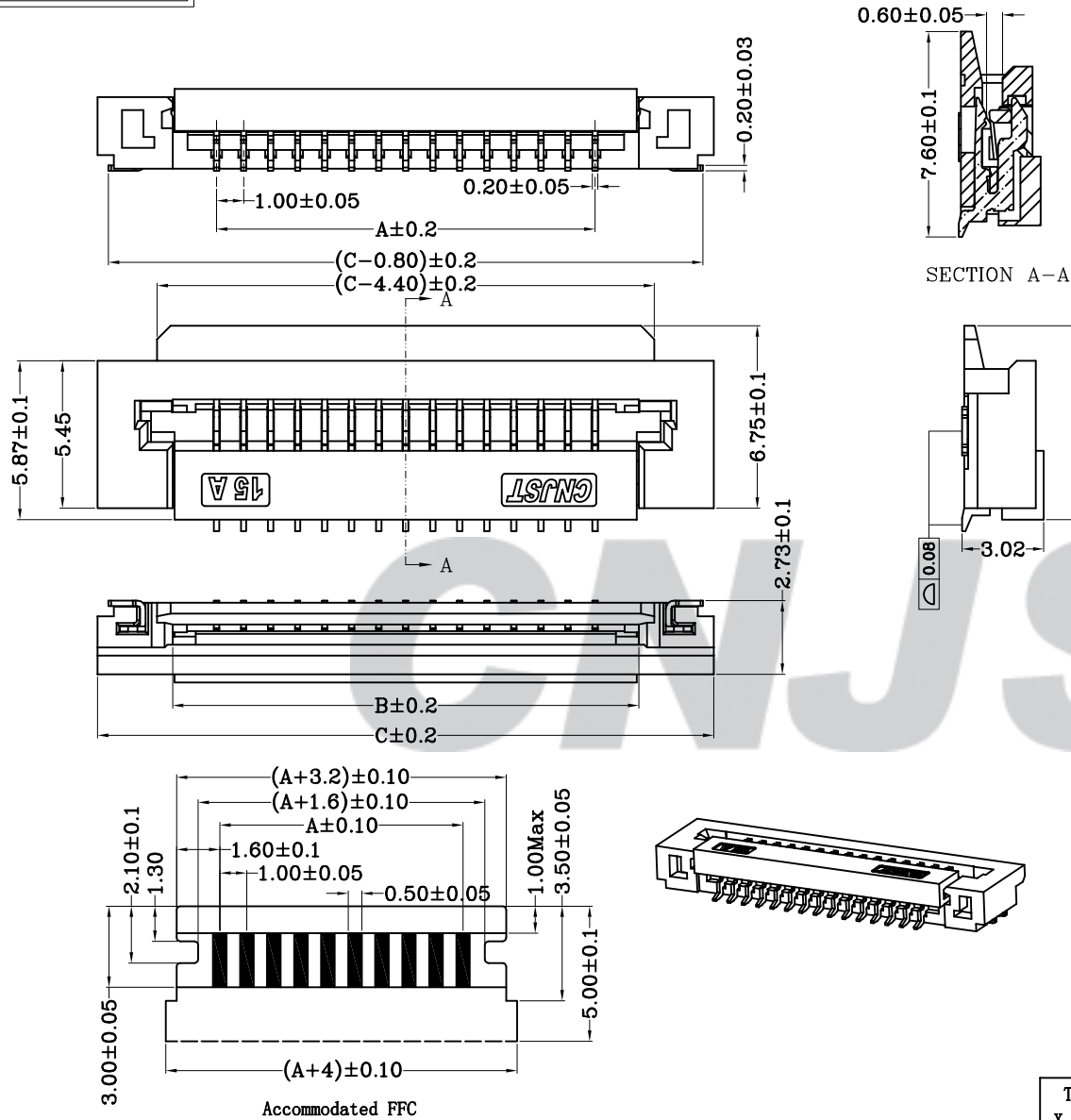


RoHS Compliant

成品图



SPECIFICATION

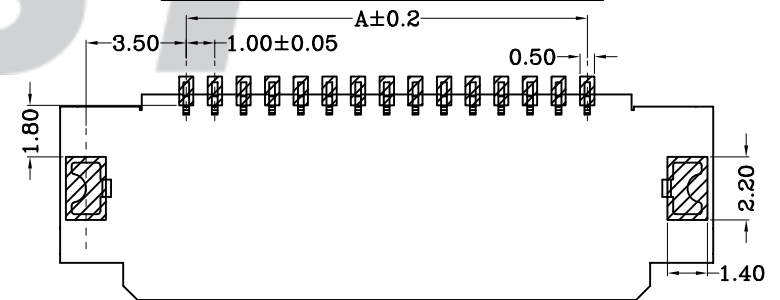
- Contact resistance: $\leq 30m\Omega$
- Insulation resistance: $\geq 500M\Omega$
- Rated voltage: 50 V AC DC
- Rated current: 0.5A AC DC
- Withstand Voltage: 500V AC/minute
- Temperature Range: $-25^{\circ}C \sim +85^{\circ}C$

ORDER INFORMATION:

F1015AWR--F2ME-R**

PART No. _____ PACKAGING: R-REEL
 No. OF CIRCUITS: _____ PLATING: E=Gold+Mattn Sn
 05~20
 PLASTIC MATERIAL: _____
 F2M=LCP (Locker:LCP)

Circuits	Dimensions (mm)		
	A	B	C
10	9.00	12.25	17.80
15	14.00	17.25	22.80
20	19.00	22.25	27.80



SUGGESTED PCB LAYOUT
(TOP VIEW)

B/0	2016.04.12	NEW RELEASE	
REV.	DATE	DESCRIPTION	APPD.

③	Solder Tabs	2	Brass	Mattn Sn
②	Material	10~20	Phosphor Bronze	Gold+Mattn Sn
①	Insulator	1	LCP (UL94V-0)	Nature (Beige)
NO.	DESCRIPTION	QTY	MATERIAL	PLATING/COLOR

Tolerance	Model Name: 1.00mm pitch 90° FFC/FPC TYPE
X.X ±0.30	Model No: F1015AWR-**-F2ME-R
X.XX ±0.20	SCALE: FULL
X.XXX ±0.10	REVISION: B/0
Angle ±3.0°	
UNIT: mm	CNJST 浙江捷仕泰电子有限公司 ZHEJIANG JIESHITAI ELECTRONIC CO., LTD

Drawn: 蔡忠忠 2016.04.12
Checked: 林旭芝
Approved: 刘祚杰
DWG NO. CNJST/GCCP-0482