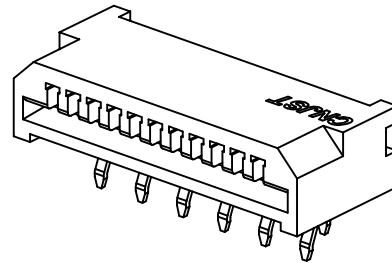
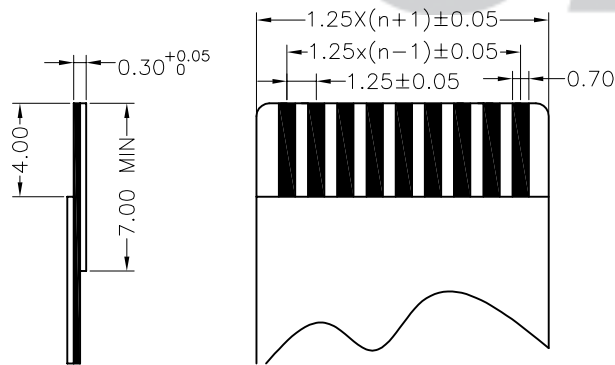
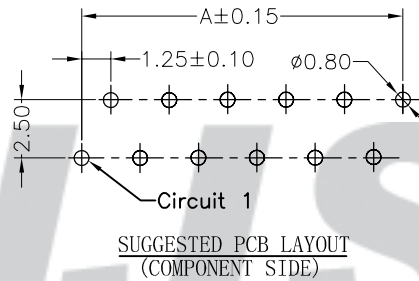
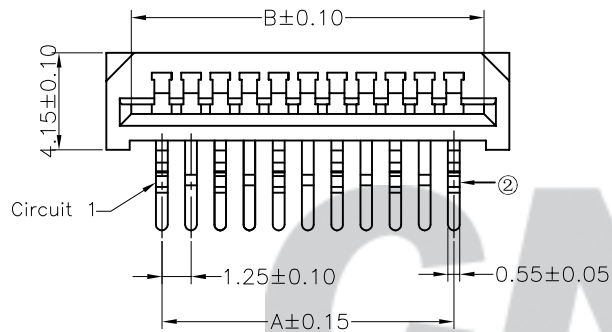
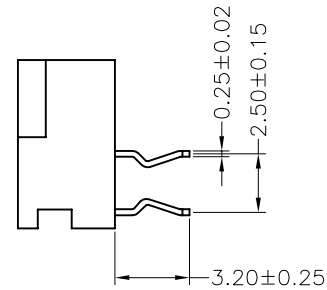
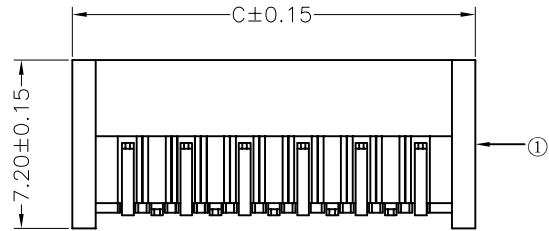


RoHS Compliant

成品图



适用扁平电缆 (Proper cable)

SPECIFICATION

- 1 Contact resistance:  $\leq 20m\Omega$
- 2 Insulation resistance:  $\geq 500M\Omega$
- 3 Rated voltage: 200 V AC DC
- 4 Rated current: 1.0 A AC DC
- 5 Withstand Voltage: 500V AC/minute
- 6 Temperature Range:  $-25^{\circ}C \sim +85^{\circ}C$

ORDER INFORMATION:

**F1251AW-\*\*-B1MA-G**

PART No.				PACKAGING:
No. OF CIRCUITS:				G=TUBE
04~30				PLATING:
				A=Tin-Plated
PLASTIC MATERIAL:				
B1M=PA46				

Circuits	Dimensions (mm)			Circuits	Dimensions (mm)		
	A	B	C		A	B	C
04	3.75	6.35	8.50	18	21.25	23.85	26.00
05	5.00	7.60	9.75	19	22.50	25.10	27.25
06	6.25	8.85	11.00	20	23.75	26.35	28.50
07	7.50	10.10	12.25	21	25.00	27.60	29.75
08	8.75	11.35	13.50	22	26.25	28.85	31.00
09	10.00	12.60	14.75	23	27.50	30.10	32.25
10	11.25	13.85	16.00	24	28.75	31.35	33.50
11	12.50	15.10	17.25	25	30.00	32.60	34.75
12	13.75	16.35	18.50	26	31.25	33.85	36.00
13	15.00	17.60	19.75	27	32.50	35.10	37.25
14	11.25	18.85	21.00	28	33.75	36.35	38.50
15	17.50	20.10	22.25	29	35.00	37.60	39.75
16	18.75	21.35	23.50	30	36.25	38.85	41.00
17	20.00	22.60	24.75				

REV.	DATE	DESCRIPTION	APPD.	NO.	DESCRIPTION	QTY	MATERIAL	PLATING/COLOR
		B/02016.04.12 NEW RELEASE		②	Contacts	04~30	Phosphor Bronze	Tin-plated
				①	Insulator	1	PA46 (UL94V-0)	Nature

Tolerance	Model Name: 1.25mm pitch 90° DIP LIF FFC/FPC	Drawn: 张育斌 2016.06.11
X.X ±0.30	Model No: F1251AW-**-B1MA-G	Checked: 林旭芝
X.XX ±0.20	SCALE: FULL <span style="margin-left: 20px;">REVISION: B/0</span>	
X.XXX ±0.10		
Angle ±3.0°	<b>CNJST</b> 浙江捷仕泰电子有限公司 ZHEJIANG JIESHITAI ELECTRONIC CO., LTD	DWG NO. CNJST/GCCP-0239

B/02016.04.12 NEW RELEASE