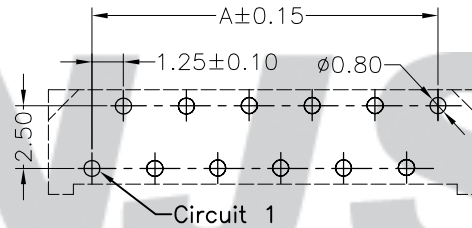
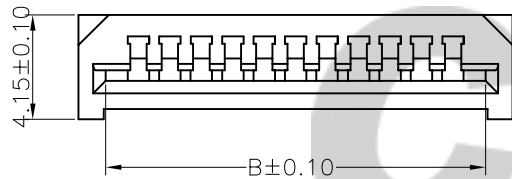
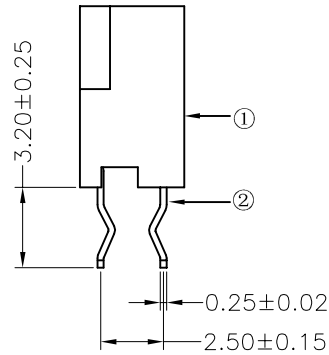
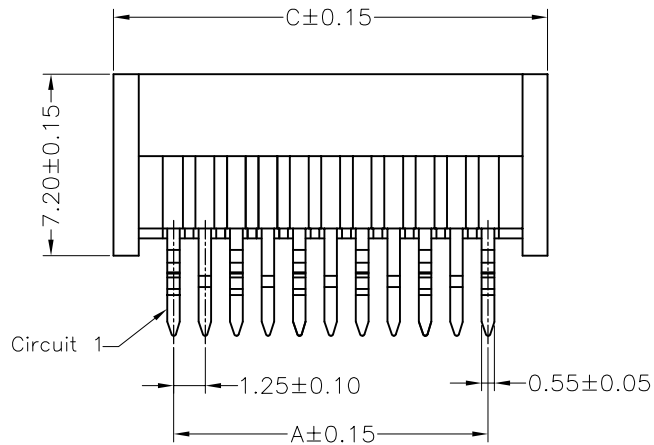
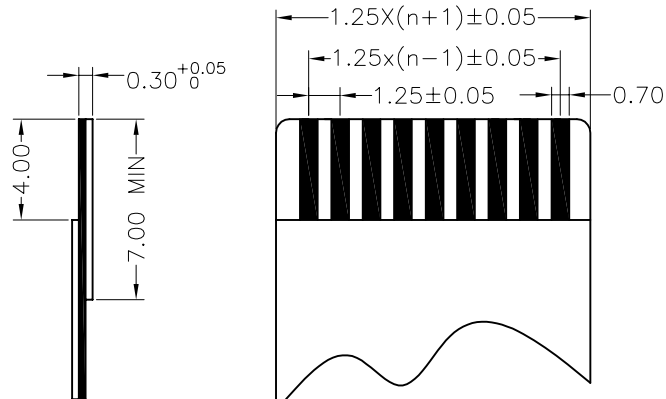


RoHS Compliant

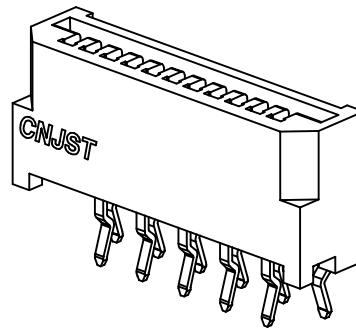
成品图



SUGGESTED PCB LAYOUT  
(COMPONENT SIDE)



适用扁平电缆 (Proper cable)



SPECIFICATION

- 1 Contact resistance:  $\leq 30m\Omega$
- 2 Insulation resistance:  $\geq 500M\Omega$
- 3 Rated voltage: 200 V AC DC
- 4 Rated current: 1.0 A AC DC
- 5 Withstand Voltage: 500V AC/minute
- 6 Temperature Range:  $-25^{\circ}C \sim +85^{\circ}C$

ORDER INFORMATION:

**F1251A-\*\*-B1MA-G**

PART No.		PACKAGING:
No. OF CIRCUITS:		G=TUBE
04~30		PLATING:
PLASTIC MATERIAL:		A= Tin-Plated
B1M=PA46		

Circuits	Dimensions (mm)			Circuits	Dimensions (mm)		
	A	B	C		A	B	C
04	3.75	6.35	8.50	18	21.25	23.85	26.00
05	5.00	7.60	9.75	19	22.50	25.10	27.25
06	6.25	8.85	11.00	20	23.75	26.35	28.50
07	7.50	10.10	12.25	21	25.00	27.60	29.75
08	8.75	11.35	13.50	22	26.25	28.85	31.00
09	10.00	12.60	14.75	23	27.50	30.10	32.25
10	11.25	13.85	16.00	24	28.75	31.35	33.50
11	12.50	15.10	17.25	25	30.00	32.60	34.75
12	13.75	16.35	18.50	26	31.25	33.85	36.00
13	15.00	17.60	19.75	27	32.50	35.10	37.25
14	16.25	18.85	21.00	28	33.75	36.35	38.50
15	17.50	20.10	22.25	29	35.00	37.60	39.75
16	18.75	21.35	23.50	30	36.25	38.85	41.00
17	20.00	22.60	24.75				

REV.	DATE	DESCRIPTION	APPD.
B/02	2016.04.12	NEW RELEASE	

②	Contacts	04~30	Phosphor Bronze	Tin-plated
①	Insulator	1	PA46 (UL94V-0)	Nature
NO.	DESCRIPTION	QTY	MATERIAL	PLATING/COLOR

Tolerance	
X.X	$\pm 0.30$
X.XX	$\pm 0.20$
X.XXX	$\pm 0.10$
Angle	$\pm 3.0^{\circ}$

Model Name: 1.25mm pitch 180° DIP TYPE LIF FFC/FPC  
 Model No: F1251A-\*\*-B1MA-G

SCALE: FULL REVISION: B/0

**CNJST** 浙江捷仕泰电子有限公司  
 ZHEJIANG JIESHITAI ELECTRONIC CO., LTD

UNIT: mm

Drawn: 张育斌 2016.06.12

Checked: 林旭芝

Approved: 刘祚杰

DWG NO. CNJST/GCCP-0219