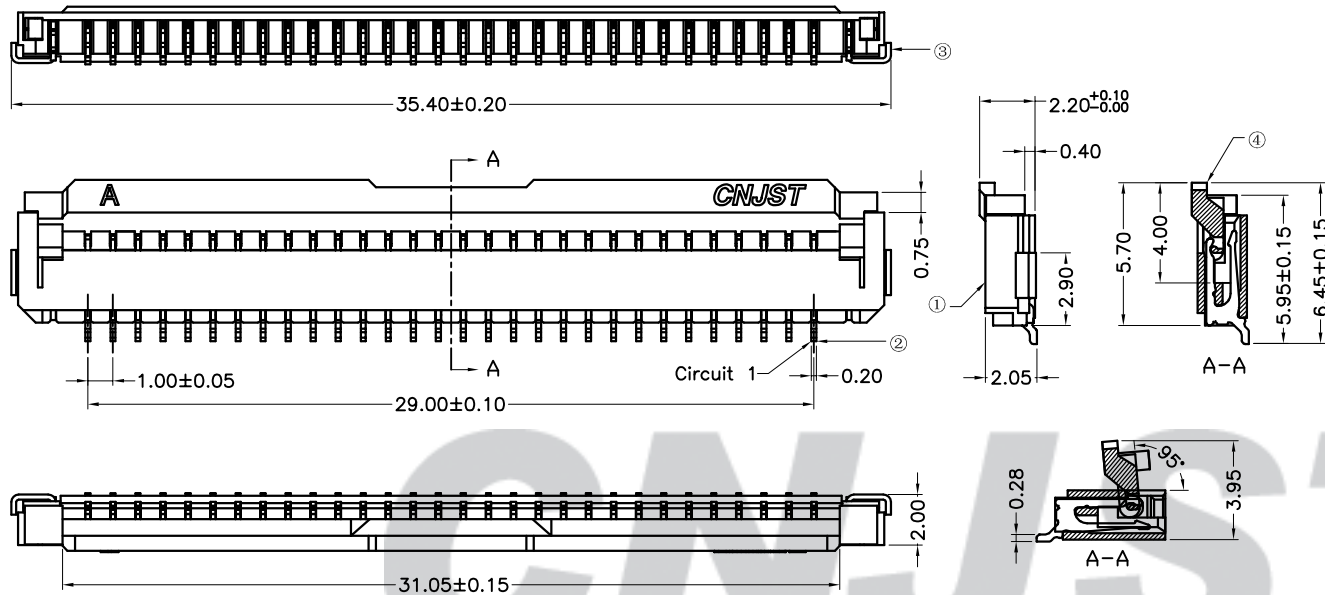


RoHS Compliant

成品图



SPECIFICATION

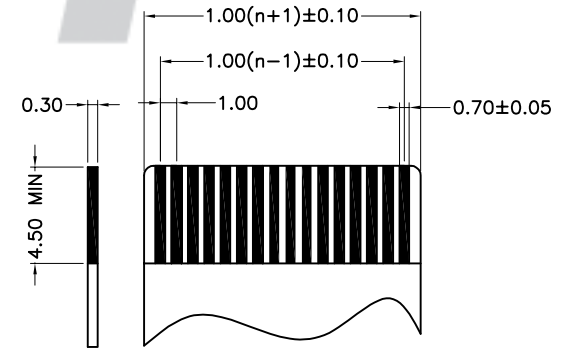
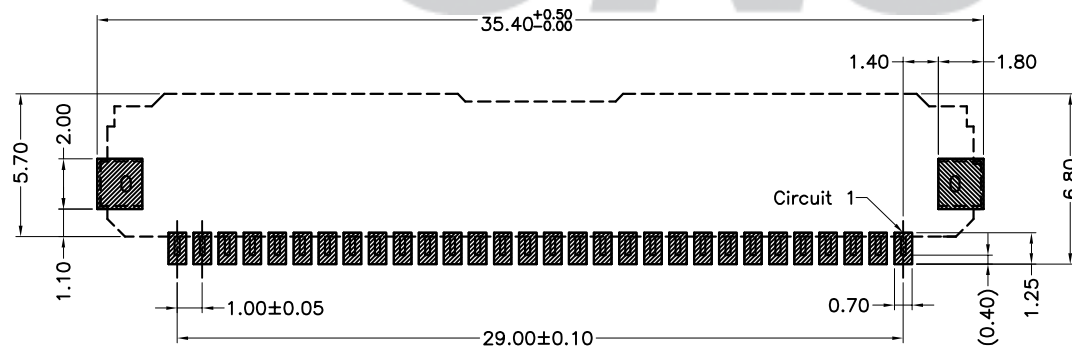
- 1 Contact resistance: $\leq 30m\Omega$
- 2 Insulation resistance: $\geq 500M\Omega$
- 3 Rated voltage: 50 V AC DC
- 4 Rated current: 0.5 A AC DC
- 5 Withstand Voltage: 500V AC/minute
- 6 Temperature Range: $-25^{\circ}C \sim +85^{\circ}C$

ORDER INFORMATION:

F1003AWR-30-B1MB-R

Part No. _____
 No. of Circuits: _____
 30
 PLASTIC MATERIAL: _____
 B1=PA46 (Locker:PPS)

PACKAGING: R=Reel
 PLATING: A=Tin-Plated B=Matte Sn



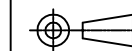
SUGGESTED PCB LAYOUT
(COMPONENT SIDE)

Accommodated FFC/FPC

④	Locker	1	PPS (UL94V-0)	Nature (Brown)
③	Solder Tab	2	Phosphor Bronze	Mattn Sn
②	Contacts	30	Phosphor Bronze	Mattn Sn
①	Insulator	1	PA46 (UL94V-0)	Nature
NO.	DESCRIPTION	QTY	MATERIAL	PLATING/COLOR

Tolerance
X.X ± 0.30
X.XX ± 0.20
X.XXX ± 0.10
Angle $\pm 3.0^{\circ}$

Model Name: 1.00mm ZIF FFC/FPC ONE-TOUCH CONNECTOR
 Model No: F1003AWR-30-B1MB-R



SCALE: FULL REVISION: B/0

CNJST 浙江捷仕泰电子有限公司
 ZHEJIANG JIESHITAI ELECTRONIC CO., LTD

Drawn: 张育斌 2016.06.11

Checked: 林旭芝

Approved: 刘祚杰

DWG NO. CNJST/GCCP-0229

B/0	2016.04.12	NEW RELEASE	
REV.	DATE	DESCRIPTION	APPD.