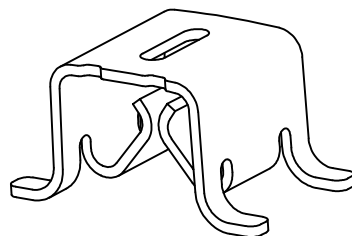
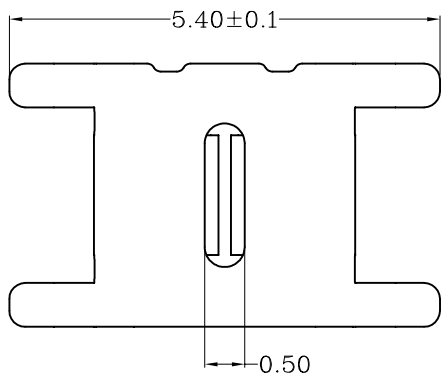


RoHS Compliant

成品图



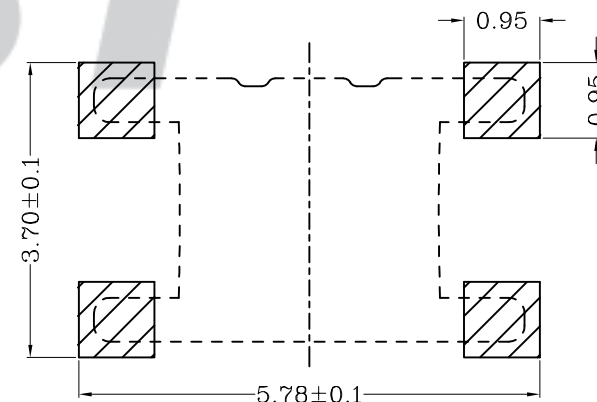
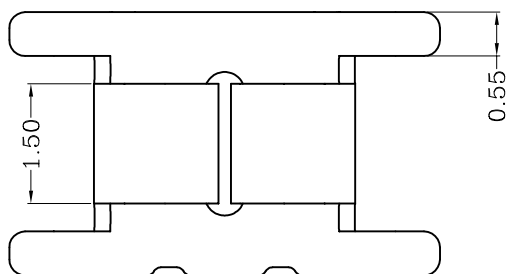
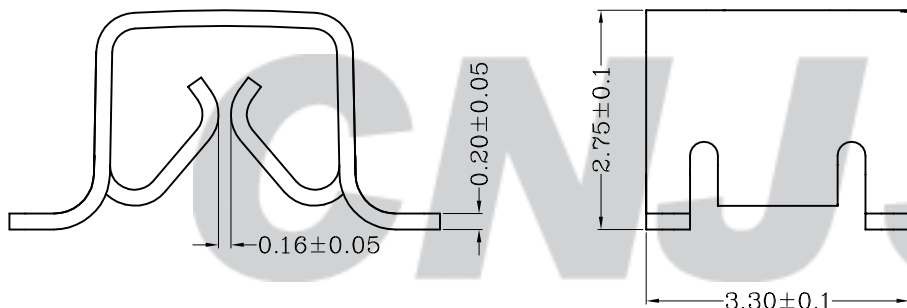
SPECIFICATION

- 1 Contact resistance:  $\leq 20m\Omega$
- 2 Insulation resistance:  $\geq 1000M\Omega$
- 3 Rated voltage: 250 V AC DC
- 4 Rated current: 2 A AC DC
- 5 Withstand Voltage: 1000V AC/minute
- 6 Temperature Range:  $-20^{\circ}C \sim +85^{\circ}C$

ORDER INFORMATION:

**T004M-01-PB-R**

PART No. \_\_\_\_\_  
 No. OF CIRCUITS: \_\_\_\_\_ PACKAGING: R=Reel  
 PLASTIC MATERIAL: \_\_\_\_\_ PLATING: B=Mattn Sn-plated  
 P=Phosphor bronze



PCB LAYOUT

Tolerance X.X ±0.30 X.XX ±0.20 X.XXX ±0.10 Angle ±3.0°	Model Name: Hardware Lihgting		Drawn: 蔡忠忠 2016.04.18
	Model No: T004M-01-PB-R		
UNIT: mm		SCALE: FULL	REVISION: B/0
		<b>CNJST</b> 浙江捷仕泰电子有限公司 ZHEJIANG JIESHITAI ELECTRONIC CO., LTD	
			Checked: 林旭芝
			Approved: 刘祚杰
			DWG NO. CNJST/GCCP-0459

REV.	DATE	DESCRIPTION	APPD.	NO.	DESCRIPTION	QTY	MATERIAL	PLATING/COLOR
B/0	2016.04.18	NEW RELEASE		①	Contacts	1	Phosphor Bronze	Mattn Sn-plated