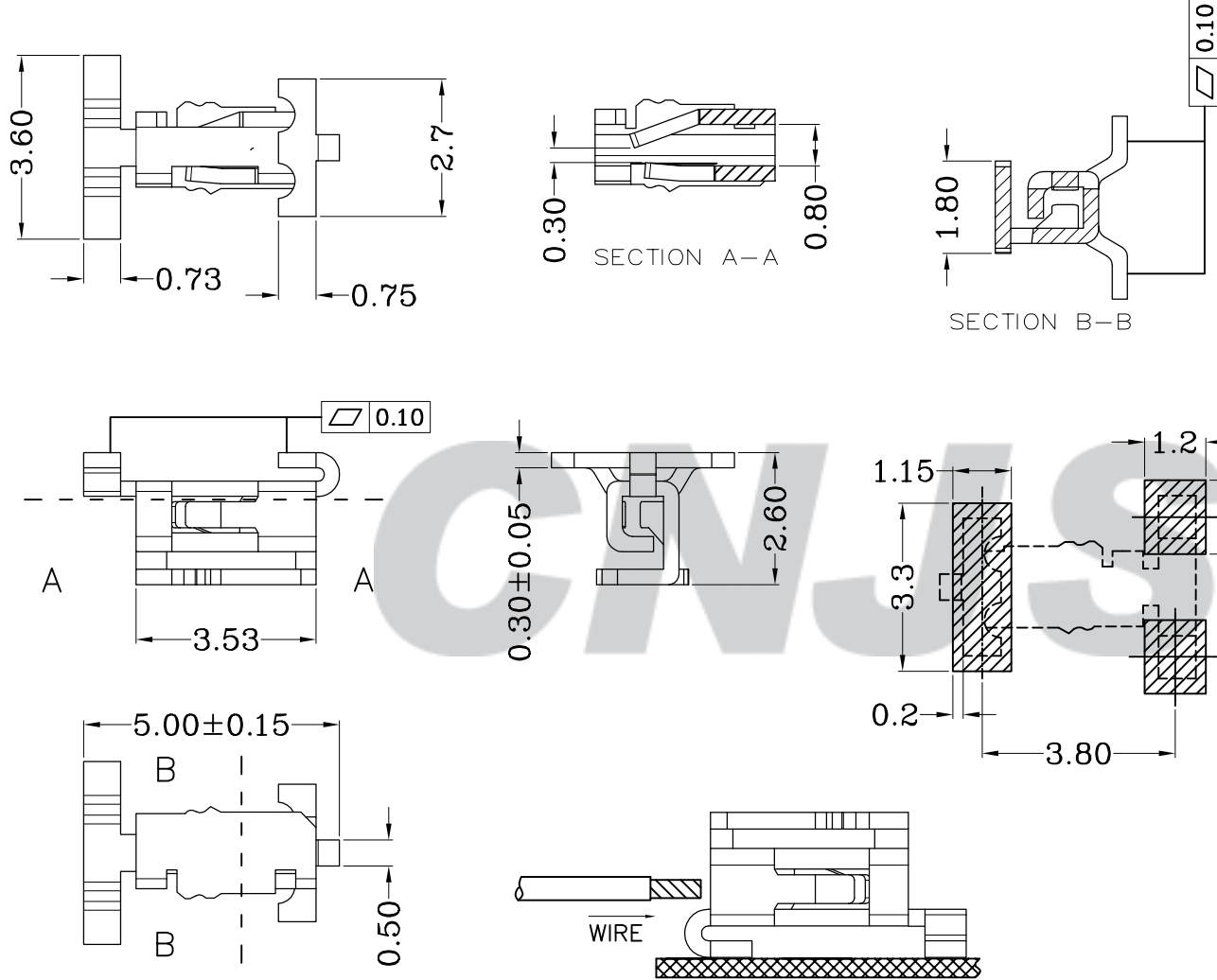


RoHS Compliant

成品图



SPECIFICATION

- 1 Contact resistance: $\leq 20m\Omega$
- 2 Insulation resistance: $\geq 1000M\Omega$
- 3 Rated voltage: 250 V AC DC
- 4 Rated current: 2.0 A AC DC
- 5 Withstand Voltage: 500V AC/minute
- 6 Temperature Range: $-45^{\circ}C \sim +125^{\circ}C$

ORDER INFORMATION:

T002-01-PB-R

PART No. _____

No. OF CIRCUITS: _____

01

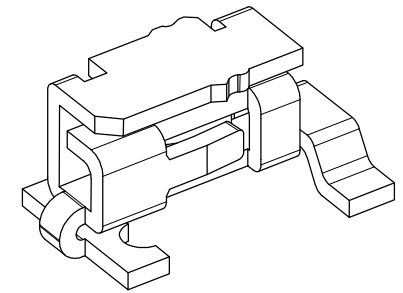
PLASTIC MATERIAL: _____

P=Phosphor Bronze

B=Brass

PACKAGING:
R=Reel

PLATING:
B=Mattn Sn



Tolerance X.X ±0.30 X.XX ±0.20 X.XXX ±0.10 Angle ±3.0°	Model Name: TERMINAL Model No: T002-01-PB-R	Drawn: 蔡忠忠 2016.04.18
UNIT: mm	SCALE: FULL REVISION: B/0	Checked: 林旭芝
	CNJST 浙江捷仕泰电子有限公司 ZHEJIANG JIESHITAI ELECTRONIC CO., LTD	Approved: 刘祚杰
		DWG NO. CNJST/GCCP-0073

REV.	DATE	DESCRIPTION	APPD.	NO.	DESCRIPTION	QTY	MATERIAL	PLATING/COLOR
B/0	2016.04.18	NEW RELEASE		①	Contacts	1	Phosphor Bronze	Mattn Sn