

RoHS Compliant

成品图

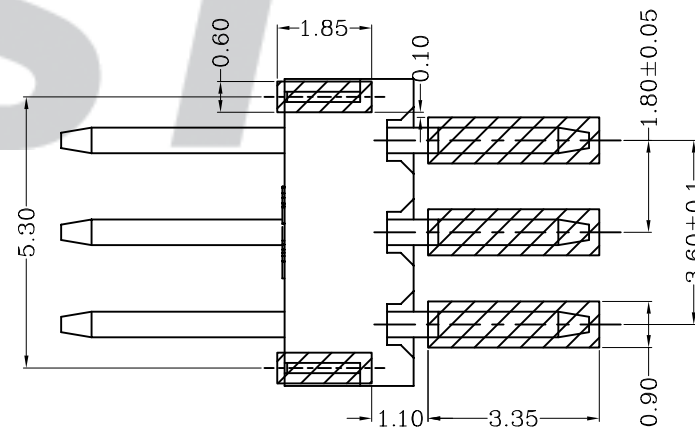
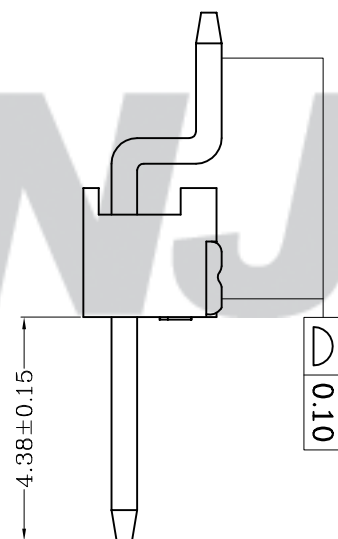
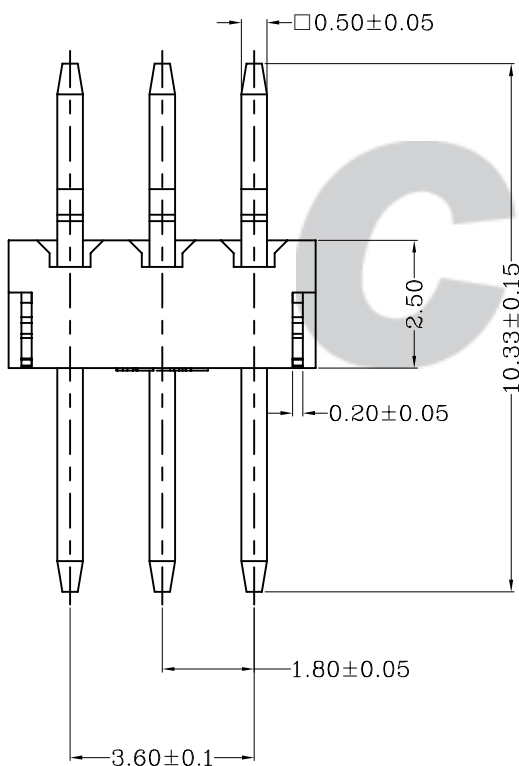
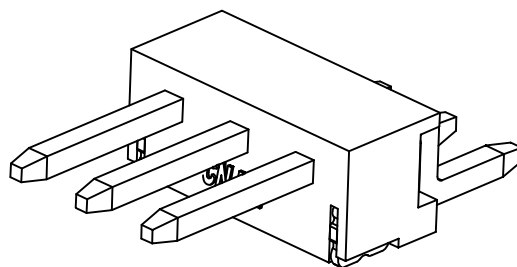
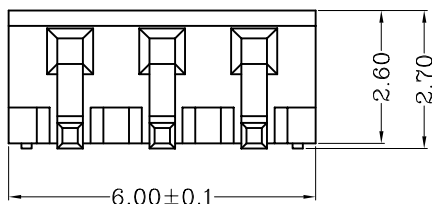
SPECIFICATION

- 1 Contact resistance: $\leq 20m\Omega$
- 2 Insulation resistance: $\geq 800M\Omega$
- 3 Rated voltage: 125 V AC DC
- 4 Rated current: 1.0 A AC DC
- 5 Withstand Voltage: 800V AC/minute
- 6 Temperature Range: $-25^{\circ}C \sim +105^{\circ}C$

ORDER INFORMATION:

T1801G-03-F2MA-R

PART No. _____
 No. OF CIRCUITS: _____ PACKAGING: _____
 03 R=Reel
 PLASTIC MATERIAL: _____ PLATING: _____
 F2M=LCP (Nature) A=Tin-plated



PCB LAYOUT

B/0	2016.04.18	NEW RELEASE	
REV.	DATE	DESCRIPTION	APPD.

③	Solder Tabs	2	Brass	Tin-plated
②	Material	3	Brass	Tin-plated
①	Insulator	1	LCP (UL94V-0)	Nature (Beige)
NO.	DESCRIPTION	QTY	MATERIAL	PLATING/COLOR

Tolerance X.X ±0.30 X.XX ±0.20 X.XXX ±0.10 Angle ±3.0°	Model Name: 1.80mm Pitch 180° Wafer-SMT TYPE Model No: T1801G-03-F2MA-R	Drawn: 蔡忠忠 2016.04.18
UNIT: mm	SCALE: FULL REVISION: B/0	Checked: 林旭芝
	CNJST 浙江捷仕泰电子有限公司 ZHEJIANG JIESHITAI ELECTRONIC CO., LTD	Approved: 刘祚杰
		DWG NO. CNJST/GCCP-0464