

RoHS Compliant

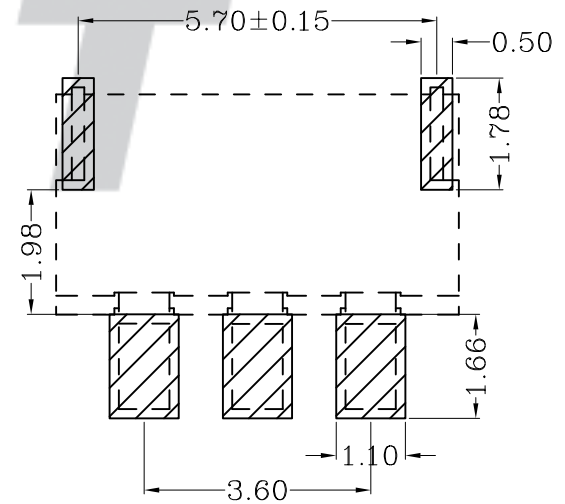
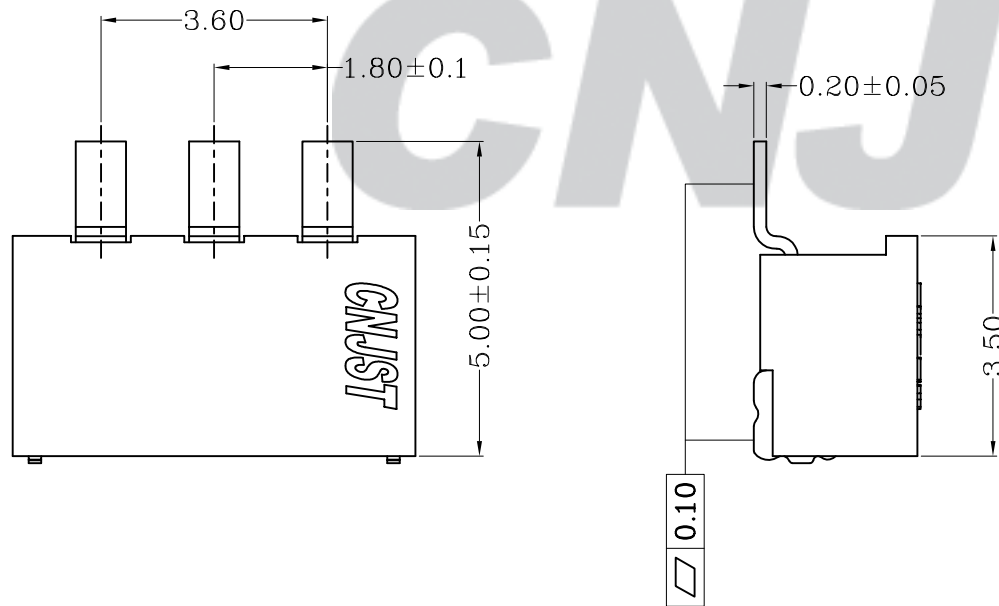
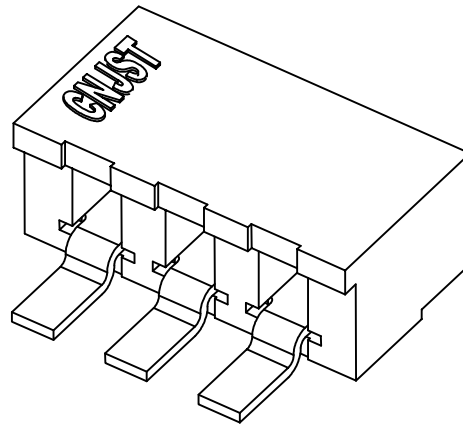
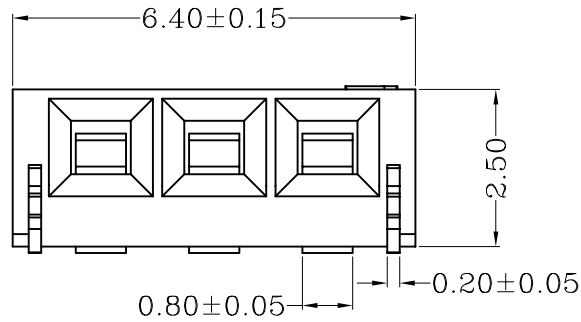
成品图

SPECIFICATION

- 1 Contact resistance: $\leq 20m\Omega$
- 2 Insulation resistance: $\geq 800M\Omega$
- 3 Rated voltage: 125 V AC DC
- 4 Rated current: 1.0 A AC DC
- 5 Withstand Voltage: 800V AC/minute
- 6 Temperature Range: $-25^{\circ}C \sim +105^{\circ}C$

ORDER INFORMATION:

T1801M-03-F2MB-R			
PART No.			
No. OF CIRCUITS:	03	PACKAGING:	R=Reel
PLASTIC MATERIAL:	F2M=LCP (Nature)	PLATING:	B=Mattn Sn



PCB LAYOUT

B/0	2016.04.18	NEW RELEASE	
REV.	DATE	DESCRIPTION	APPD.

③	Solder Tabs	2	Brass	Mattn Sn
②	Material	3	Phosphor Bronze	Mattn Sn
①	Insulator	1	LCP (UL94V-0)	Nature (Beige)
NO.	DESCRIPTION	QTY	MATERIAL	PLATING/COLOR

Tolerance	Model Name: 1.80mm Pitch 180° Wafer-SMT TYPE	
X.X ±0.30	Model No: T1801M-03-F2MB-R	
X.XX ±0.20		SCALE: FULL
X.XXX ±0.10		REVISION: B/0
Angle ±3.0°	CNJST 浙江捷仕泰电子有限公司 ZHEJIANG JIESHITAI ELECTRONIC CO., LTD	
UNIT: mm		

Drawn: 蔡忠忠 2016.04.18
Checked: 林旭芝
Approved: 刘祚杰
DWG NO. CNJST/GCCP-0463