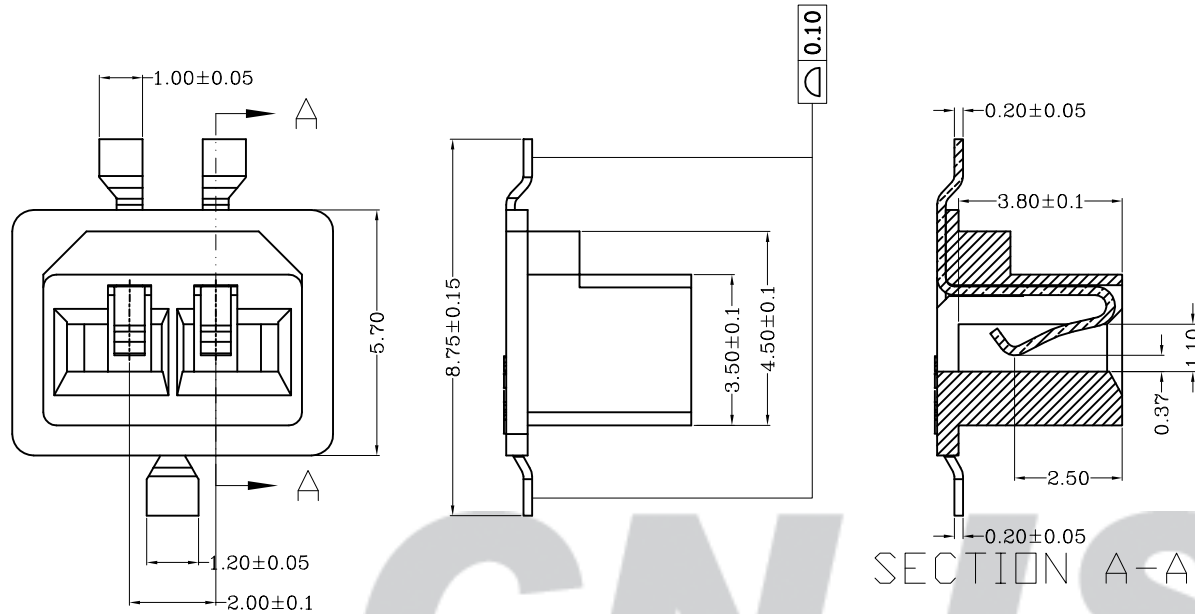


RoHS Compliant

成品图



SPECIFICATION

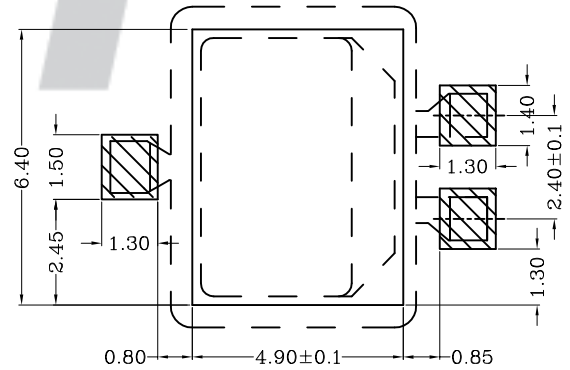
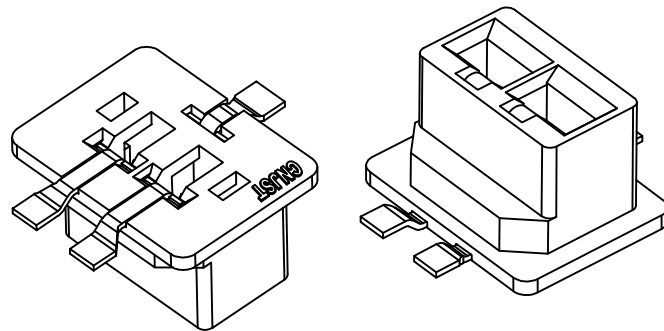
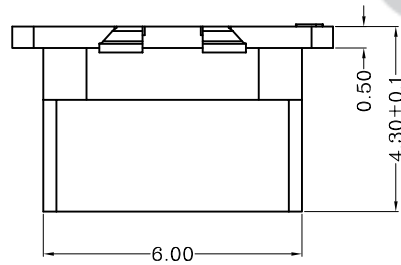
- 1 Contact resistance: $\leq 20m\Omega$
- 2 Insulation resistance: $\geq 1000M\Omega$
- 3 Rated voltage: 150 V AC DC
- 4 Rated current: 1.0 A AC DC
- 5 Withstand Voltage: 1000V AC/minute
- 6 Temperature Range: $-25^{\circ}C \sim +105^{\circ}C$

ORDER INFORMATION:

T2001M-02-F2MB-R

PART No. _____
 No. OF CIRCUITS: _____
 PLASTIC MATERIAL: _____
 F2M=LCP (Nature)

PACKAGING:
 R=Reel
 PLATING:
 B=Mattn Sn



PCB LAYOUT

B/0	2016.04.18	NEW RELEASE	
REV.	DATE	DESCRIPTION	APPD.
1			

③	Solder Tabs	1	Brass	Mattn Sn
②	Material	2	Phosphor Bronze	Mattn Sn
①	Insulator	1	LCP (UL94V-0)	Nature (Beige)
NO.	DESCRIPTION	QTY	MATERIAL	PLATING/COLOR

Tolerance X.X ±0.30 X.XX ±0.20 X.XXX ±0.10 Angle ±3.0°	Model Name: 2.00mm Pitch 180° Wafer-SMT TYPE		Drawn: 蔡忠忠 2016.04.18
	Model No: T2001M-02-F2MB-R		
UNIT: mm	SCALE: FULL	REVISION: B/0	Checked: 林旭芝
	CNJST 浙江捷仕泰电子有限公司 ZHEJIANG JIESHITAI ELECTRONIC CO., LTD		Approved: 刘祚杰
			DWG NO. CNJST/GCCP-0462