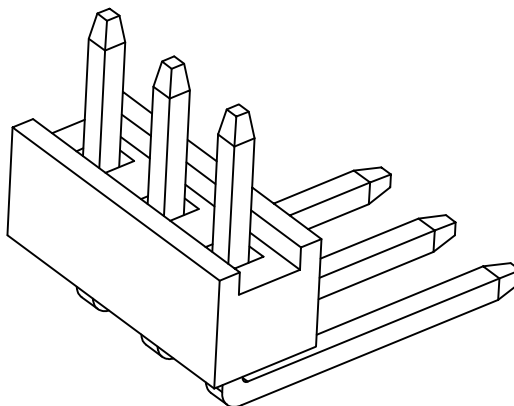
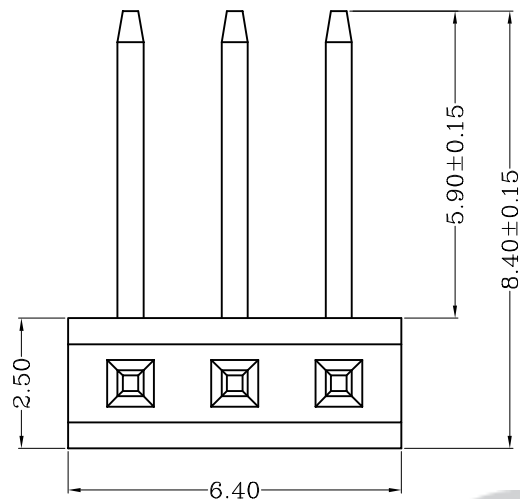


RoHS Compliant

成品图



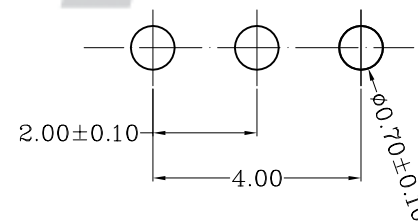
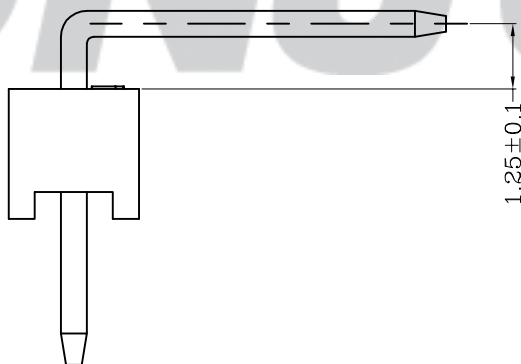
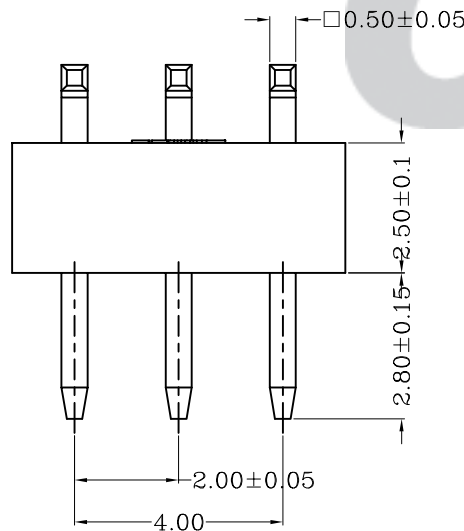
SPECIFICATION

- 1 Contact resistance: $\leq 20m\Omega$
- 2 Insulation resistance: $\geq 1000M\Omega$
- 3 Rated voltage: 250 V AC DC
- 4 Rated current: 2.0 A AC DC
- 5 Withstand Voltage: 1000V AC/minute
- 6 Temperature Range: $-25^{\circ}C \sim +105^{\circ}C$

ORDER INFORMATION:

T2003G-03-F2MA-A

PART No.:	T2003G-03-F2MA-A
No. OF CIRCUITS:	03
PLASTIC MATERIAL:	F2M=LCP (Nature)
PACKAGING:	A=TRAY
PLATING:	A=Tin



PCB LAYOUT

REV.	DATE	DESCRIPTION	APPD.
B/0	2016.04.12	NEW RELEASE	

NO.	DESCRIPTION	QTY	MATERIAL	PLATING/COLOR
②	Material	3	Brass	Tin
①	Insulator	1	LCP (UL94V-0)	Nature (Beige)

Tolerance X.X ±0.30 X.XX ±0.20 X.XXX ±0.10 Angle ±3.0°	Model Name: 2.00mm pitch 90° Wafer-SMT TYPE Model No: T2003G-03-F2MA-A	Drawn: 张育斌 2016.06.12
UNIT: mm	SCALE: FULL REVISION: B/0	Checked: 林旭芝
	CNJST 浙江捷仕泰电子有限公司 ZHEJIANG JIESHITAI ELECTRONIC CO., LTD	Approved: 刘祚杰
		DWG NO. CNJST/GCCP-0467