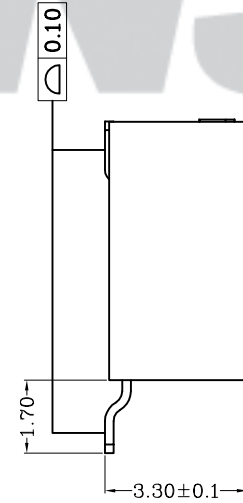
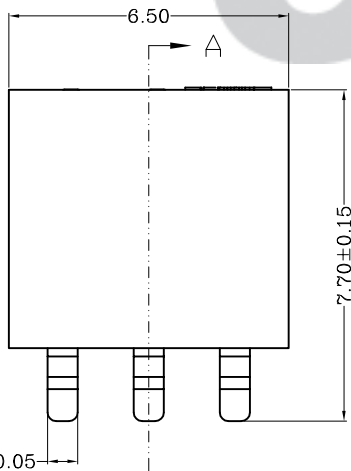
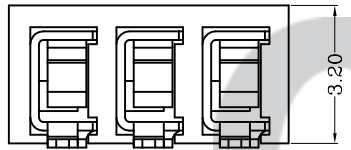
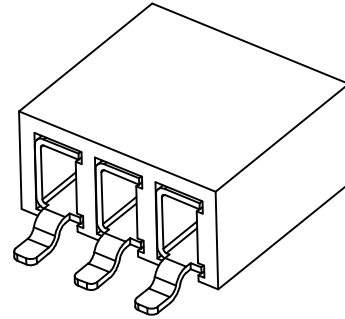
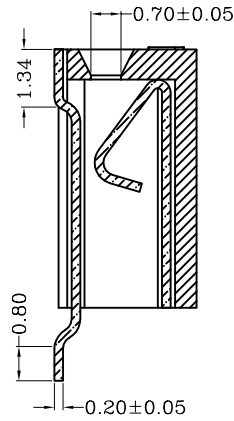
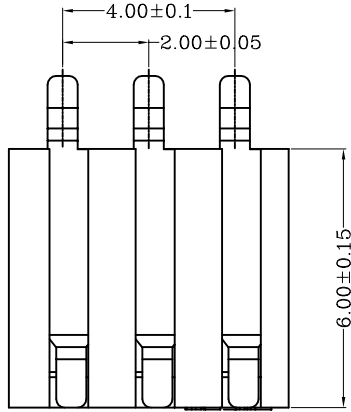


RoHS Compliant

成品图



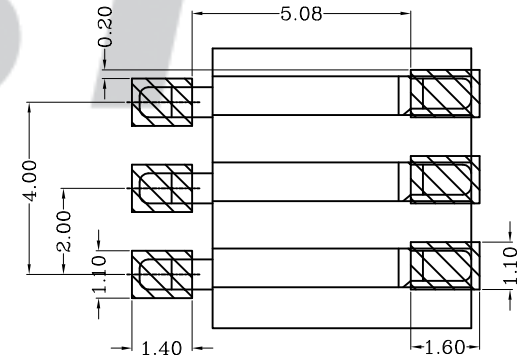
SPECIFICATION

- 1 Contact resistance: $\leq 20m\Omega$
- 2 Insulation resistance: $\geq 1000M\Omega$
- 3 Rated voltage: 250 V AC DC
- 4 Rated current: 2.0 A AC DC
- 5 Withstand Voltage: 1000V AC/minute
- 6 Temperature Range: $-25^{\circ}C \sim +105^{\circ}C$

ORDER INFORMATION:

T2003M-03-F2MB-R

PART No. _____
 No. OF CIRCUITS: _____ PACKAGING: _____
 03 R=Reel
 PLASTIC MATERIAL: _____ PLATING: _____
 F2M=LCP (Nature) B=Mattn Sn



PCB LAYOUT

Tolerance X.X ±0.30 X.XX ±0.20 X.XXX ±0.10 Angle ±3.0°	Model Name: 2.00mm Pitch 90° Wafer-SMT TYPE Model No: T2003M-03-F2MB-R	Drawn: 蔡忠忠 2016.04.18
UNIT: mm	SCALE: FULL REVISION: B/0	Checked: 林旭芝
	CNJST 浙江捷仕泰电子有限公司 ZHEJIANG JIESHITAI ELECTRONIC CO., LTD	Approved: 刘祚杰
		DWG NO. CNJST/GCCP-0466

REV.	DATE	DESCRIPTION	APPD.	NO.	DESCRIPTION	QTY	MATERIAL	PLATING/COLOR
B/0	2016.04.18	NEW RELEASE		②	Material	3	Phosphor Bronze	Mattn Sn
				①	Insulator	1	LCP (UL94V-0)	Nature (Beige)