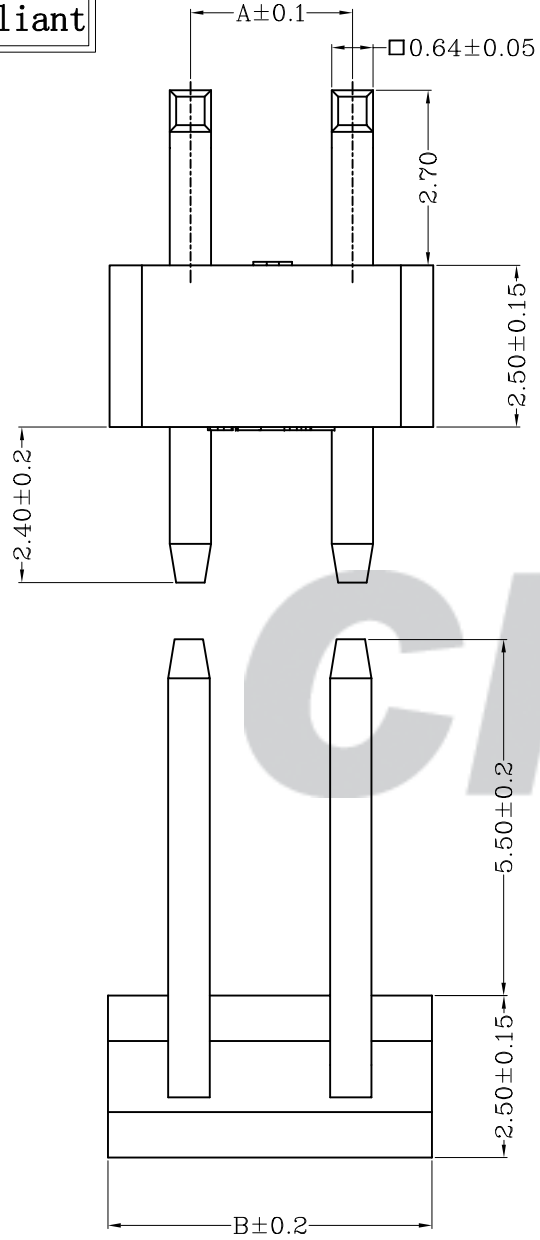


RoHS Compliant

成品图



Circuits	Dimensions (mm)	
	A	B
02	2.50	5.00
03	5.00	7.50

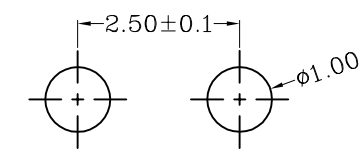
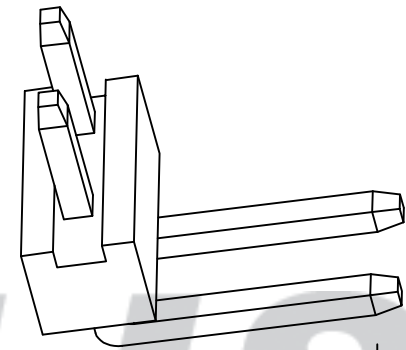
SPECIFICATION

- 1 Contact resistance: $\leq 20m\Omega$
- 2 Insulation resistance: $\geq 1000M\Omega$
- 3 Rated voltage: 275 V AC DC
- 4 Rated current: 1.0 A AC DC
- 5 Withstand Voltage: 2000V AC/minute
- 6 Temperature Range: $-25^{\circ}C \sim +105^{\circ}C$

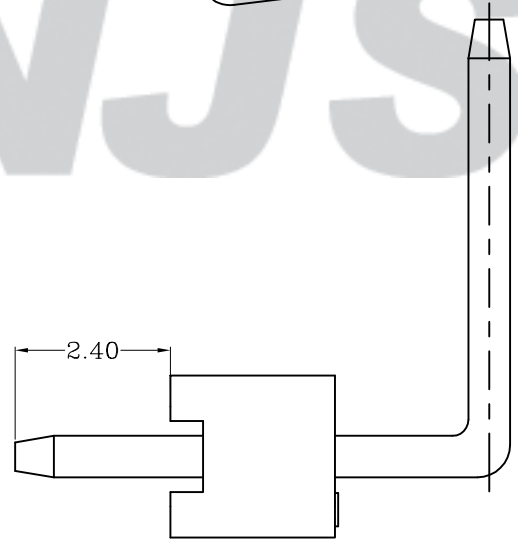
ORDER INFORMATION:

T2503G--F2MA-A**

PART No.:	T2503G-**-F2MA-A	PACKAGING:	A=TRAY
No. OF CIRCUITS:	02~03	PLATING:	A=Sn
PLASTIC MATERIAL:	F2M=LCP (Nature)		



SUGGESTED PCB LAYOUT
(COMPONENT SIDE)



Tolerance X.X ±0.30 X.XX ±0.20 X.XXX ±0.10 Angle ±3.0°	Model Name: 2.50mm Pitch Wafer-DIP TYPE	SCALE: FULL	REVISION: B/0	Drawn: 蔡忠忠 2016.04.18
	Model No: T2503G-**-F2MA-A			Checked: 林旭芝
UNIT: mm	CNJST 浙江捷仕泰电子有限公司 ZHEJIANG JIESHITAI ELECTRONIC CO., LTD			Approved: 刘祚杰
				DWG NO. CNJST/GCCP-0469

REV.	DATE	DESCRIPTION	APPD.	NO.	DESCRIPTION	QTY	MATERIAL	PLATING/COLOR
B/0	2016.04.18	NEW RELEASE		②	Material	2-3	Brass	Tin-plated
				①	Insulator	1	LCP (UL94V-0)	Nature