

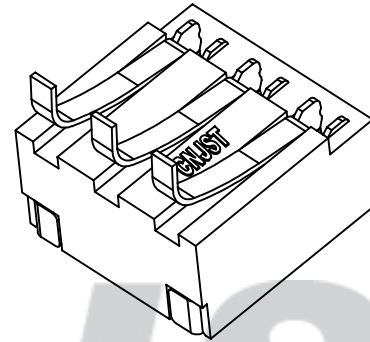
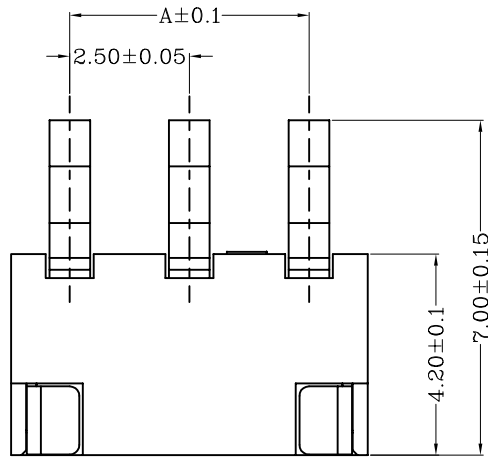
RoHS Compliant

成品图

SPECIFICATION

- 1 Contact resistance: $\leq 20m\Omega$
- 2 Insulation resistance: $\geq 1000M\Omega$
- 3 Rated voltage: 125 V AC DC
- 4 Rated current: 1.0 A AC DC
- 5 Withstand Voltage: 1000V AC/minute
- 6 Temperature Range: $-25^{\circ}C \sim +105^{\circ}C$

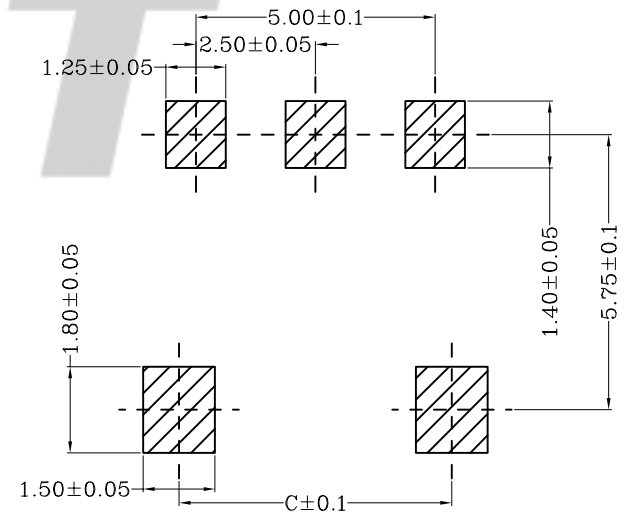
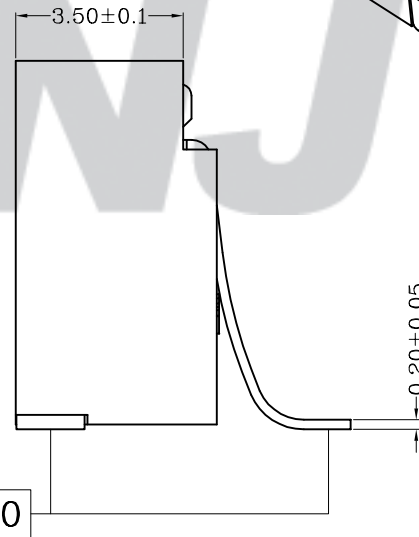
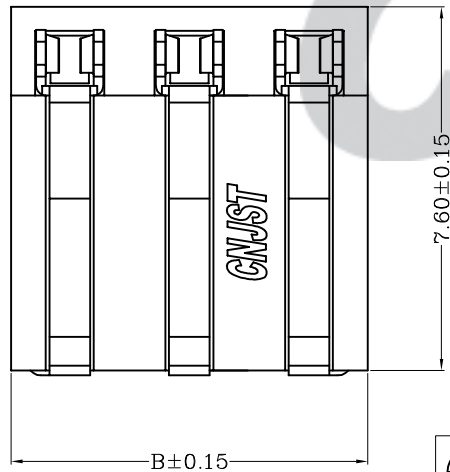
Circuits	Dimensions (mm)		
	A	B	C
02	2.50	4.95	3.20
03	5.00	7.45	5.70



ORDER INFORMATION:

T2503M--F2MB-R**

PART No.		PACKAGING:
No. OF CIRCUITS:		R=Reel
02-03		PLATING:
PLASTIC MATERIAL:		B=Mattn Sn
F2M=LCP (Nature)		



PCB LAYOUT

REV.	DATE	DESCRIPTION	APPD.
B/0	2016.04.18	NEW RELEASE	

NO.	DESCRIPTION	QTY	MATERIAL	PLATING/COLOR
③	Solder Tabs	2	Brass	Mattn Sn
②	Material	2-3	Phosphor Bronze	Mattn Sn
①	Insulator	1	LCP (UL94V-0)	Nature (Beige)

Tolerance	Model Name: 2.50mm Pitch 180° Wafer-SMT TYPE
X.X ±0.30	Model No: T2503M-**-F2MB-R
X.XX ±0.20	
X.XXX ±0.10	
Angle ±3.0°	
UNIT: mm	

Model Name: 2.50mm Pitch 180° Wafer-SMT TYPE
 Model No: T2503M-**-F2MB-R

SCALE: FULL REVISION: B/0

CNJST 浙江捷仕泰电子有限公司
 ZHEJIANG JIESHITAI ELECTRONIC CO., LTD

Drawn: 蔡忠忠 2016.04.18

Checked: 林旭芝

Approved: 刘祚杰

DWG NO. CNJST/GCCP-0468