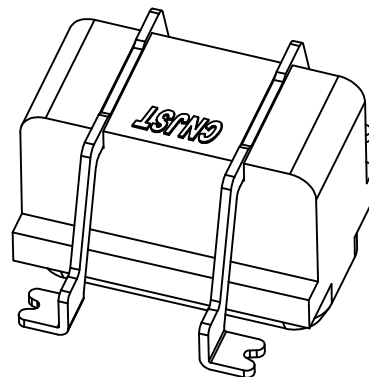
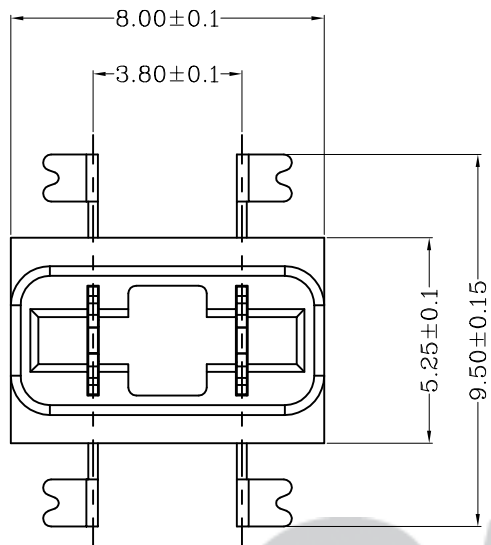


RoHS Compliant

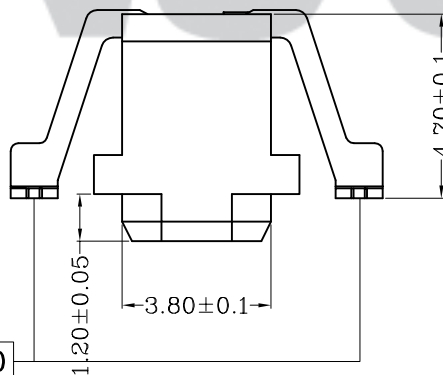
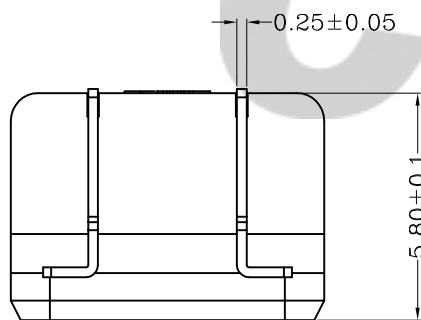
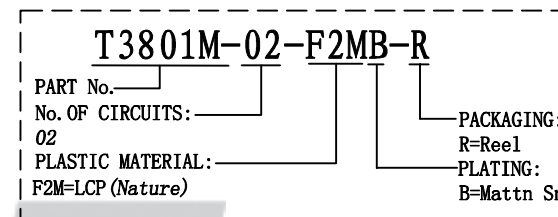
成品图



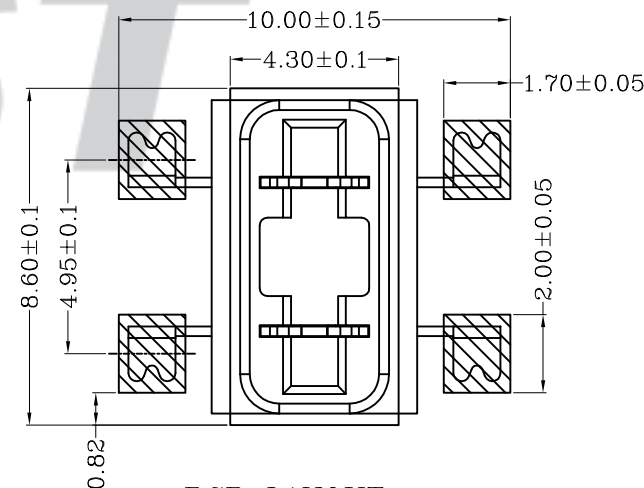
SPECIFICATION

- 1 Contact resistance: $\leq 20m\Omega$
- 2 Insulation resistance: $\geq 1000M\Omega$
- 3 Rated voltage: 250 V AC DC
- 4 Rated current: 1.0 A AC DC
- 5 Withstand Voltage: 1000V AC/minute
- 6 Temperature Range: $-40^{\circ}C \sim +120^{\circ}C$

ORDER INFORMATION:



0.10



PCB LAYOUT

REV.	DATE	DESCRIPTION	APPD.	NO.	DESCRIPTION	QTY	MATERIAL	PLATING/COLOR
B/0	2016.04.18	NEW RELEASE		②	Material	2	Phosphor Bronze	Mattn Sn
				①	Insulator	1	LCP (UL94V-0)	Nature (Beige)

Tolerance X.X ±0.30 X.XX ±0.20 X.XXX ±0.10 Angle ±3.0°	Model Name: 3.80mm Pitch 180° Wafer-SMT TYPE Model No: T3801M-02-F2MB-R	SCALE: FULL REVISION: B/0
UNIT: mm	CNJST 浙江捷仕泰电子有限公司 ZHEJIANG JIESHITAI ELECTRONIC CO., LTD	

Drawn: 蔡忠忠 2016.04.18
Checked: 林旭芝
Approved: 刘祚杰
DWG NO. CNJST/GCCP-0474