

RoHS Compliant

成品图

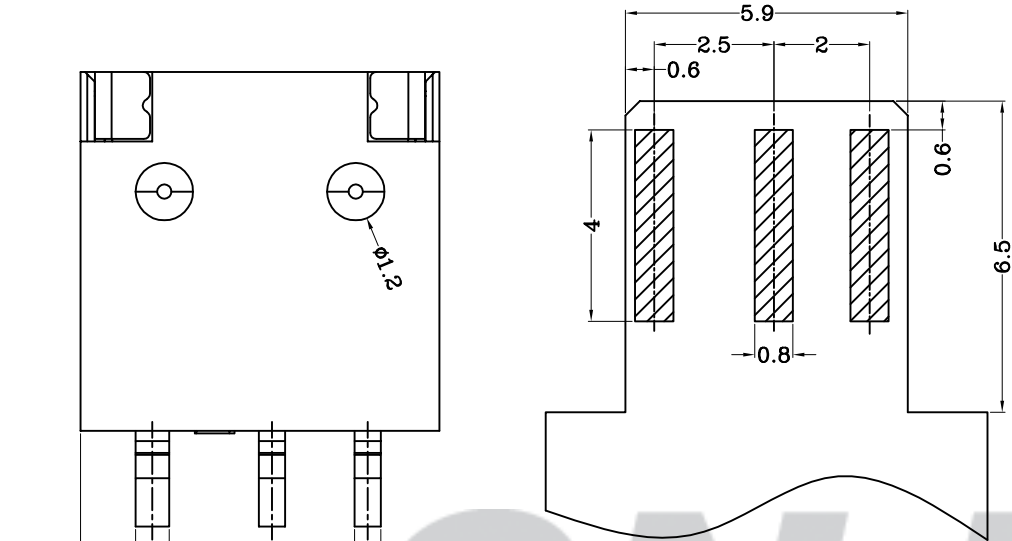
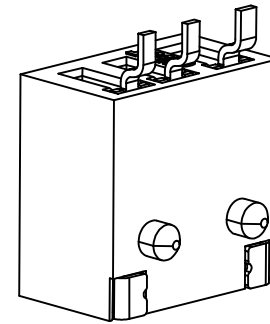
SPECIFICATION

- 1 Contact resistance:  $\leq 20m\Omega$
- 2 Insulation resistance:  $\geq 800M\Omega$
- 3 Rated voltage: 250V AC DC
- 4 Rated current: 1.0A AC DC
- 5 Withstand Voltage: 1500V AC/minute
- 6 Temperature Range:  $-25^{\circ}C \sim +85^{\circ}C$

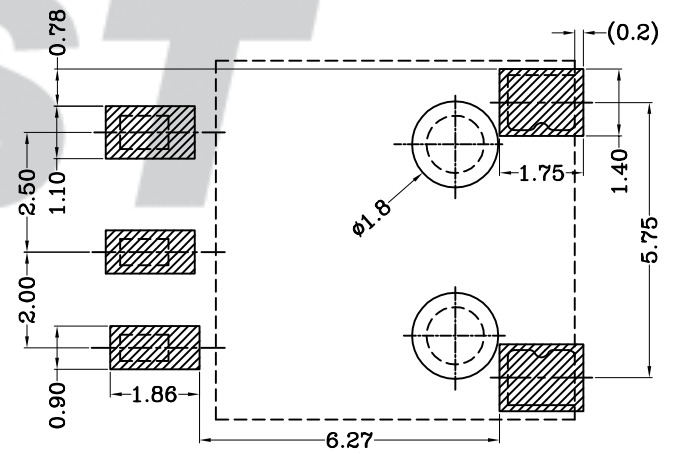
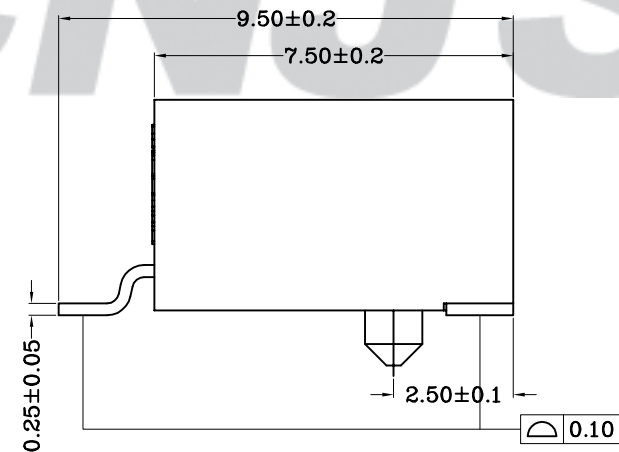
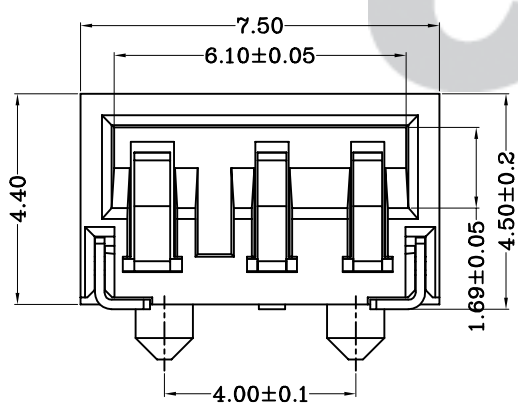
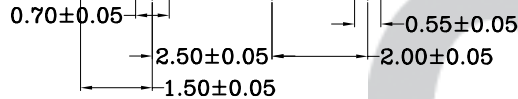
ORDER INFORMATION:

**TD252001MB-03-F2MB-R**

PART No.:		PACKAGING:	
No. OF CIRCUITS:		R=REEL	
04		PLATING:	
PLASTIC MATERIAL:		B=Mattn Sn	
F2M=LCP			



Mating Aluminum plate detail



SUGGESTED PCB LAYOUT (TOP VIEW)

专利产品

REV.	DATE	DESCRIPTION	APPD.
B/O	2016.04.18	NEW RELEASE	

NO.	DESCRIPTION	QTY	MATERIAL	PLATING/COLOR
③	Solder Tab	2	Brass	Mattn Sn
②	Material	3	Phosphor Bronze	Mattn Sn
①	Insulator	1	LCP (UL94V-0)	Nature (Beige)

Tolerance	Model Name: 2.50-2.00mm pitch 90° SMT TYPE
X.X ±0.30	Model No: TD252001MB-03-F2MB-R
X.XX ±0.20	
X.XXX ±0.10	
Angle ±3.0°	

UNIT: mm

**CNJST** 浙江捷仕泰电子有限公司  
ZHEJIANG JIESHITAI ELECTRONIC CO., LTD

SCALE: FULL REVISION: B/0

Drawn: 蔡忠忠 2016.04.18
Checked: 林旭芝
Approved: 刘祚杰
DWG NO. CNJST/GCCP-0441