

RoHS Compliant

成品图

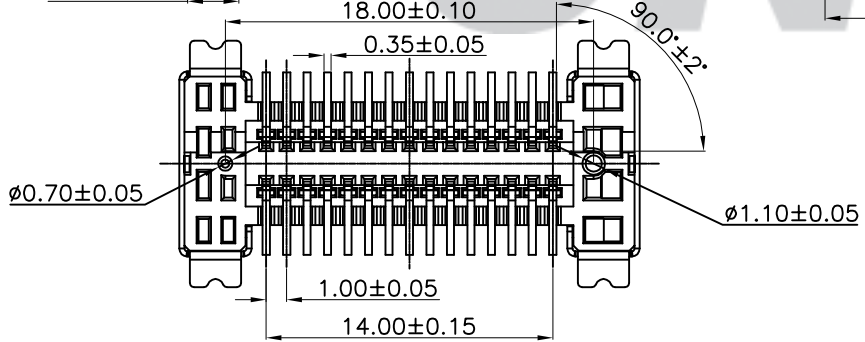
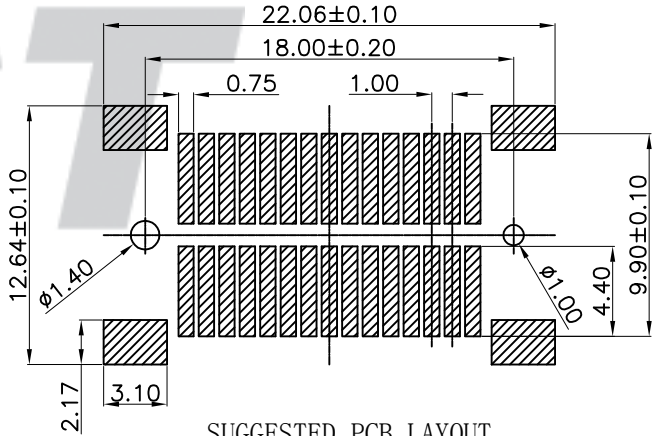
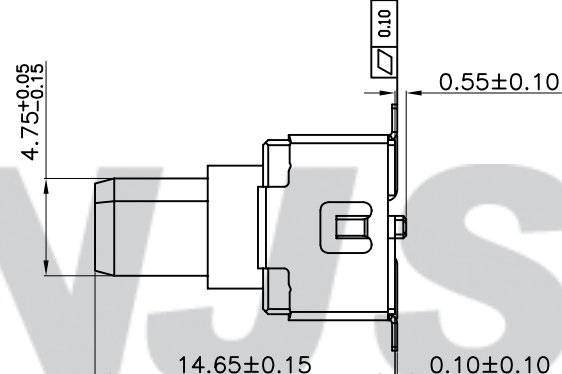
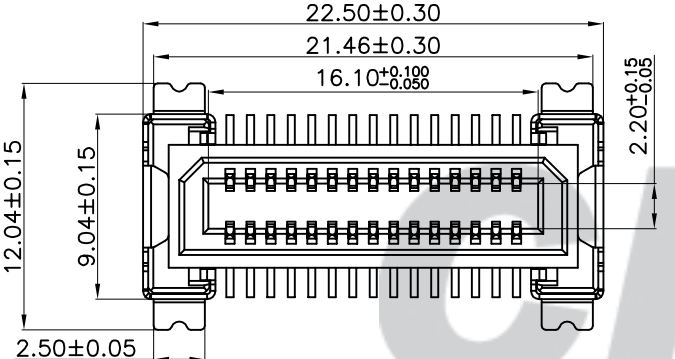
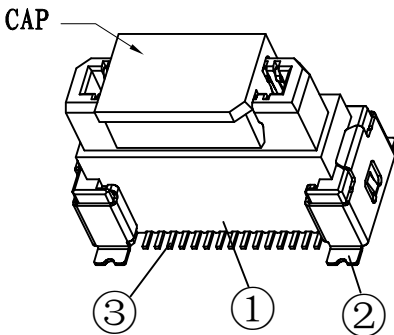
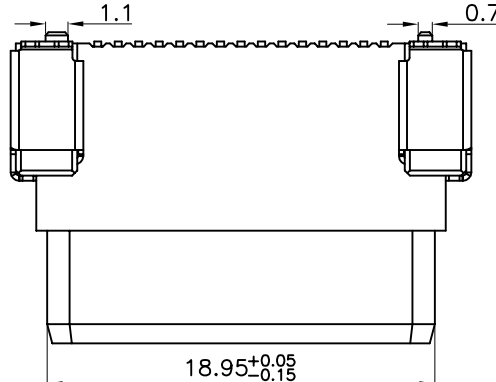
SPECIFICATION

- 1 Contact resistance:  $\leq 100m\Omega$
- 2 Insulation resistance:  $\geq 50M\Omega$
- 3 Rated voltage: 100 V AC DC
- 4 Rated current: 1.0 A AC DC
- 5 Withstand Voltage: 250V AC/minute
- 6 Temperature Range:  $-40^{\circ}C \sim +85^{\circ}C$

ORDER INFORMATION:

**B1003M-215-F2ME-R**

PART No.	PACKAGING: R=REEL
No. OF CIRCUITS: 2*15	PLATING: E=Sn+Gold
PLASTIC MATERIAL: F2M=LCP (NATURE)	



SUGGESTED PCB LAYOUT  
(COMPONENT SIDE)

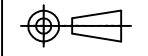
专利产品

B/0	2016.04.12	NEW RELEASE	
REV.	DATE	DESCRIPTION	APPD.

③	Solder Tab	2	Brass	Mattn Sn
②	Contacts	30	Phosphor Bronze	Mattn Sn/Gold-plated
①	Insulator	1	LCP	Nature
NO.	DESCRIPTION	QTY	MATERIAL	PLATING/COLOR

Tolerance	
X.X	±0.30
X.XX	±0.20
X.XXX	±0.10
Angle	±3.0°

Model Name: 2.00mm pitch 180° WAFER-SMT TYPE  
Model No: B1003M-215-F2ME-R



SCALE: FULL

REVISION: B/0

**CNJST** 浙江捷仕泰电子有限公司  
ZHEJIANG JIESHITAI ELECTRONICS CO., LTD.

Drawn: 张育斌 2016.05.03

Checked: 林旭芝

Approved: 刘祚杰

DWG NO. CNJST/GCCP-0397

UNIT: mm