

RoHS Compliant

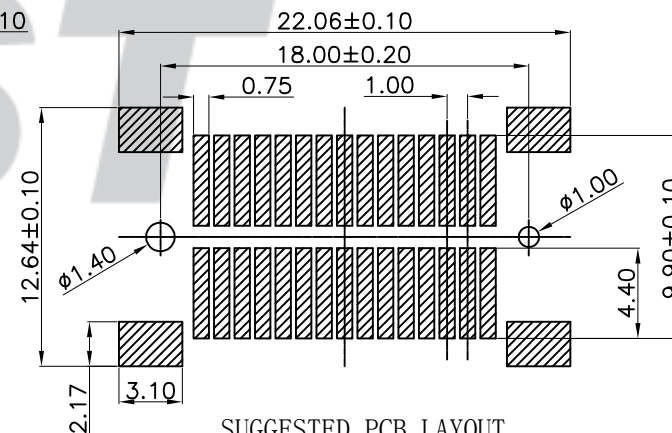
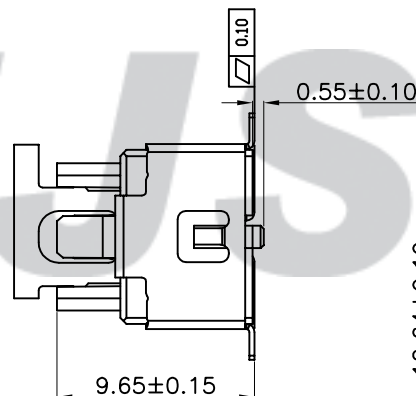
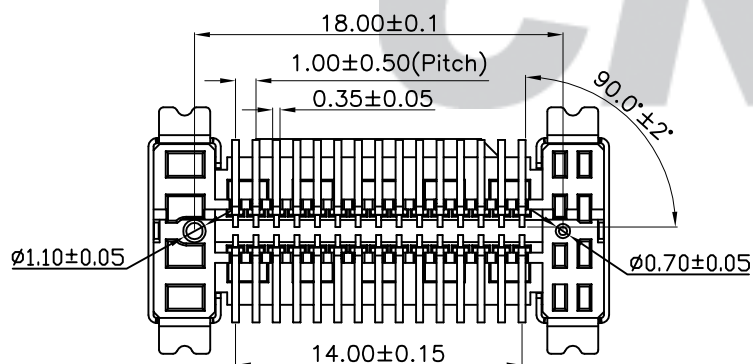
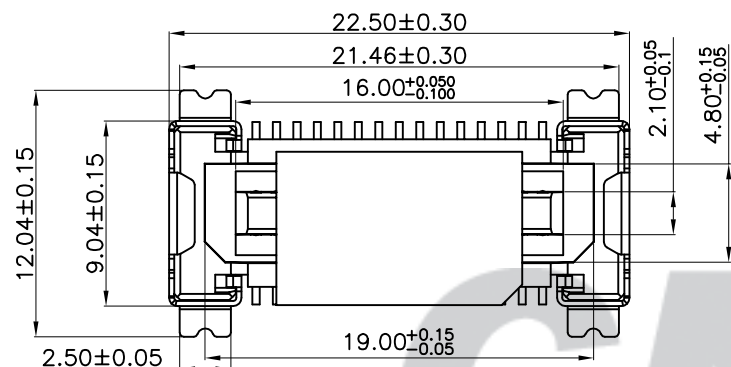
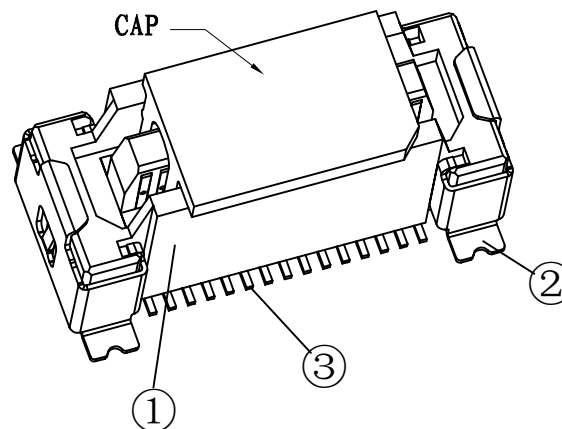
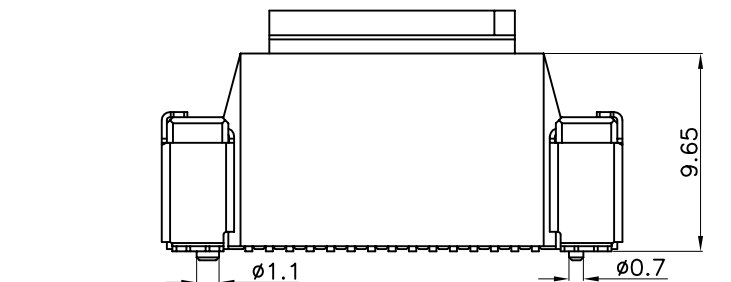
成品图

SPECIFICATION

- 1 Contact resistance: $\leq 100m\Omega$
- 2 Insulation resistance: $\geq 50M\Omega$
- 3 Rated voltage: 100 V AC DC
- 4 Rated current: 1.0 A AC DC
- 5 Withstand Voltage: 250V AC/minute
- 6 Temperature Range: $-40^{\circ}C \sim +85^{\circ}C$

ORDER INFORMATION:

B1003G-215-F2ME-R	
PART No. _____	PACKAGING: R=REEL
No. OF CIRCUITS: 2*15	PLATING: E=Sn+Gold
PLASTIC MATERIAL: F2M=LCP (NATURE)	



SUGGESTED PCB LAYOUT
(COMPONENT SIDE)

专利产品

B/0	2016.04.12	NEW RELEASE	
REV.	DATE	DESCRIPTION	APPD.

③	Solder Tab	2	Brass	Mattn Sn
②	Contacts	30	Phosphor Bronze	Mattn Sn/Gold-plated
①	Insulator	1	LCP	Nature
NO.	DESCRIPTION	QTY	MATERIAL	PLATING/COLOR

Tolerance	Model Name: 2.00mm pitch 180° WAFER-SMT TYPE
X.X ±0.30	Model No: B1003G-215-F2ME-R
X.XX ±0.20	
X.XXX ±0.10	
Angle ±3.0°	
UNIT: mm	

Drawn: 张育斌 2016.05.03
Checked: 林旭芝
Approved: 刘祚杰
DWG NO. CNJST/GCCP-0396

SCALE: FULL REVISION: B/0
CNJST 浙江捷仕泰电子有限公司
 ZHEJIANG JIESHITAI ELECTRONICS CO., LTD.