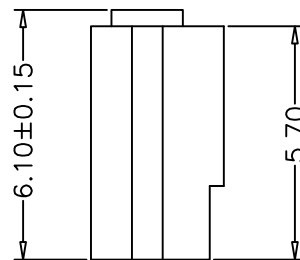
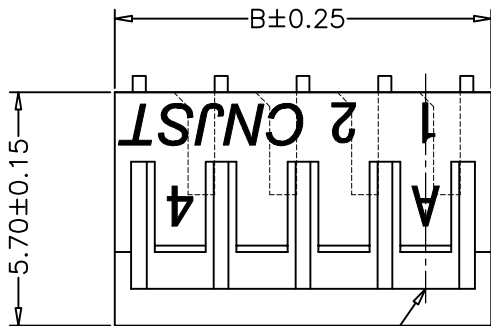
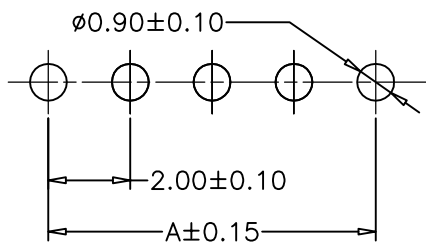
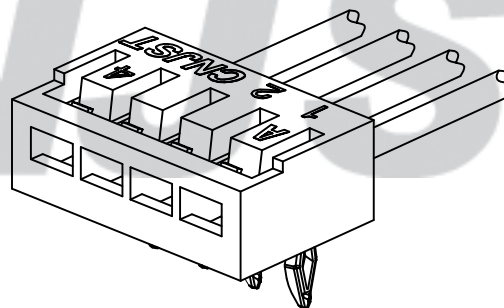
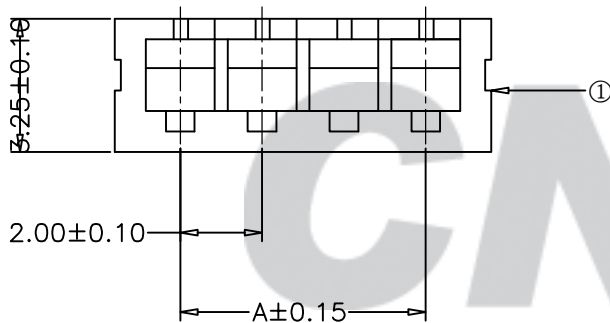


RoHS Compliant

成品图



Circuit 1



SUGGESTED PCB LAYOUT
(COMPONENT SIDE)

SPECIFICATION

- 1 Insulation resistance: $\geq 1000M\Omega$
- 2 Rated voltage: 250 V AC DC
- 3 Rated current: 2.0 A AC DC
- 4 Withstand Voltage: 800V AC/minute
- 5 Temperature Range: $-25^{\circ}C \sim +85^{\circ}C$

ORDER INFORMATION:

B2002Y--A6W-P**

PART No. [] PACKAGING: P=PE
 No. OF CIRCUITS: [] PLASTIC MATERIAL: A6W=PA66 (WHITE)

Circuits	Dimensions (mm)	
	A	B
02	2.00	5.20
03	4.00	7.20
04	6.00	9.20
05	8.00	11.20
06	10.00	13.20
07	12.00	15.20
08	14.00	17.20
09	16.00	19.20
10	18.00	21.20
11	20.00	23.20
12	22.00	25.20
13	24.00	27.20

Tolerance X.X ±0.30 X.XX ±0.20 X.XXX ±0.10 Angle ±3.0°	Model Name: 2.00mm PITCH 90° HOUSING		Drawn: 蔡忠忠 2016.05.12
	Model No: B2002Y-**-A6W-P		
UNIT: mm	SCALE: FULL	REVISION: B/0	Checked: 林旭芝
	CNJST 浙江捷仕泰电子有限公司 ZHEJIANG JIESHITAI ELECTRONIC CO., LTD		Approved: 刘祚杰
			DWG NO. CNJST/GCCP-0128

REV.	DATE	DESCRIPTION	APPD.	NO.	DESCRIPTION	QTY	MATERIAL	PLATING/COLOR
B/0	2016.05.12	NEW RELEASE		①	Insulator	1	PA66 (UL94V-0)	White